

# ST. S.P.A.

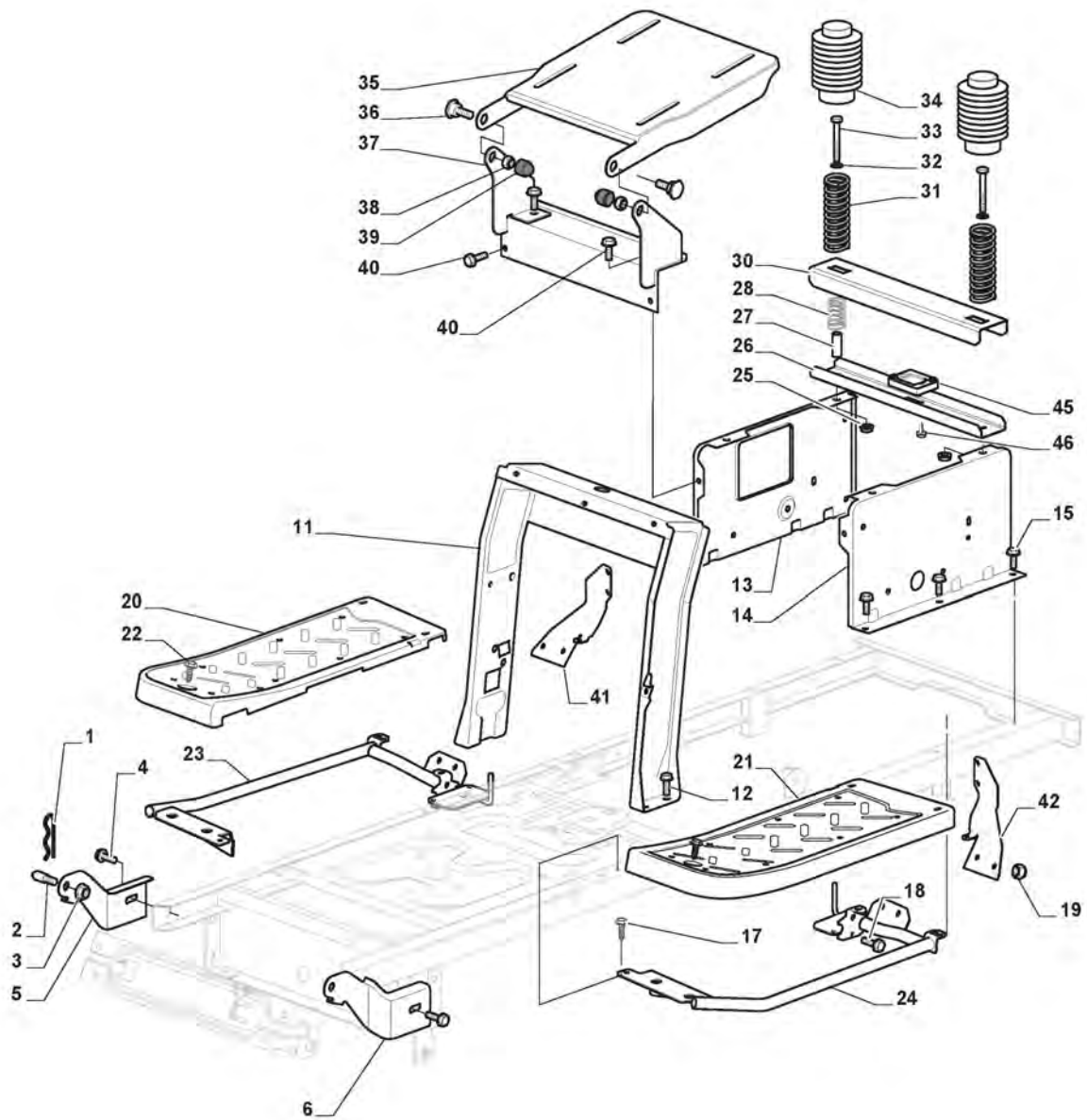
## FIRST C (2016)

2T2110473/UVT

### **Spare parts list** **Reservdelar** **Repuestos** **Ersatzteile** **Pièces détachées** **Reserve onderdelen** **Catalogo ricambi**

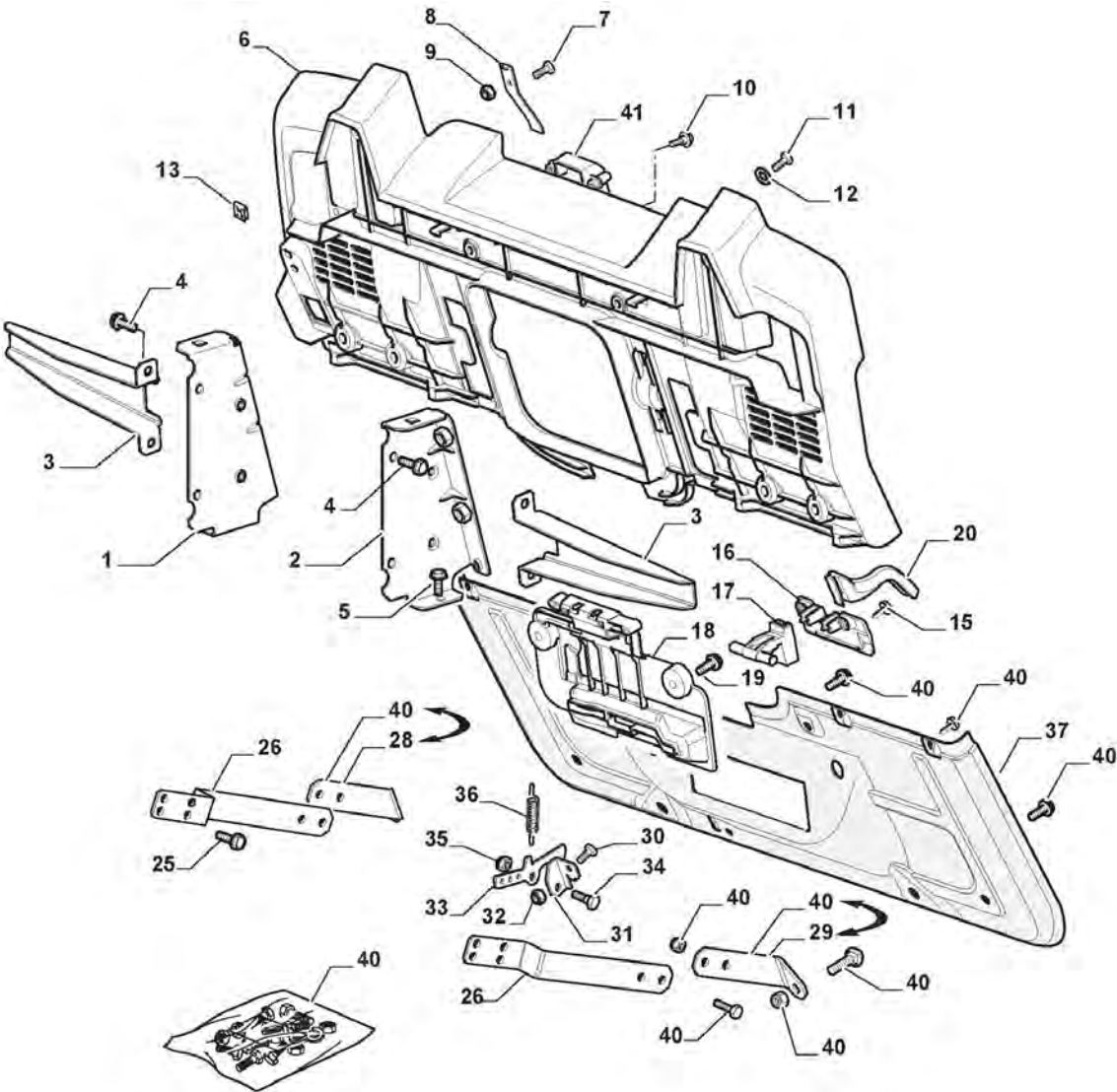
- Use ST. S.p.A. Genuine Spare Parts specified in the parts list for repair and/or replacement.
- The contents described in the parts list may change due to improvement.
- The drawings of the spare parts are only indicative And might Not represent the part in question exactly.
- The indications "right" - "left" - "front" - "rear" refer to the position of the operator when using the machine.
- When placing orders of parts for repair And/Or replacement, make sure that the illustrated parts list Is the one applying to the machine's year of manufacture, as shown on the identification plate attached to the machine.

All rights reserved. No part Of this material may be reproduced Or transmitted, in any form Or by any means, electronic Or mechanical, including photocopying, recording Or by any information storage And retrieval system, without permission in writing from ST. S.p.A.



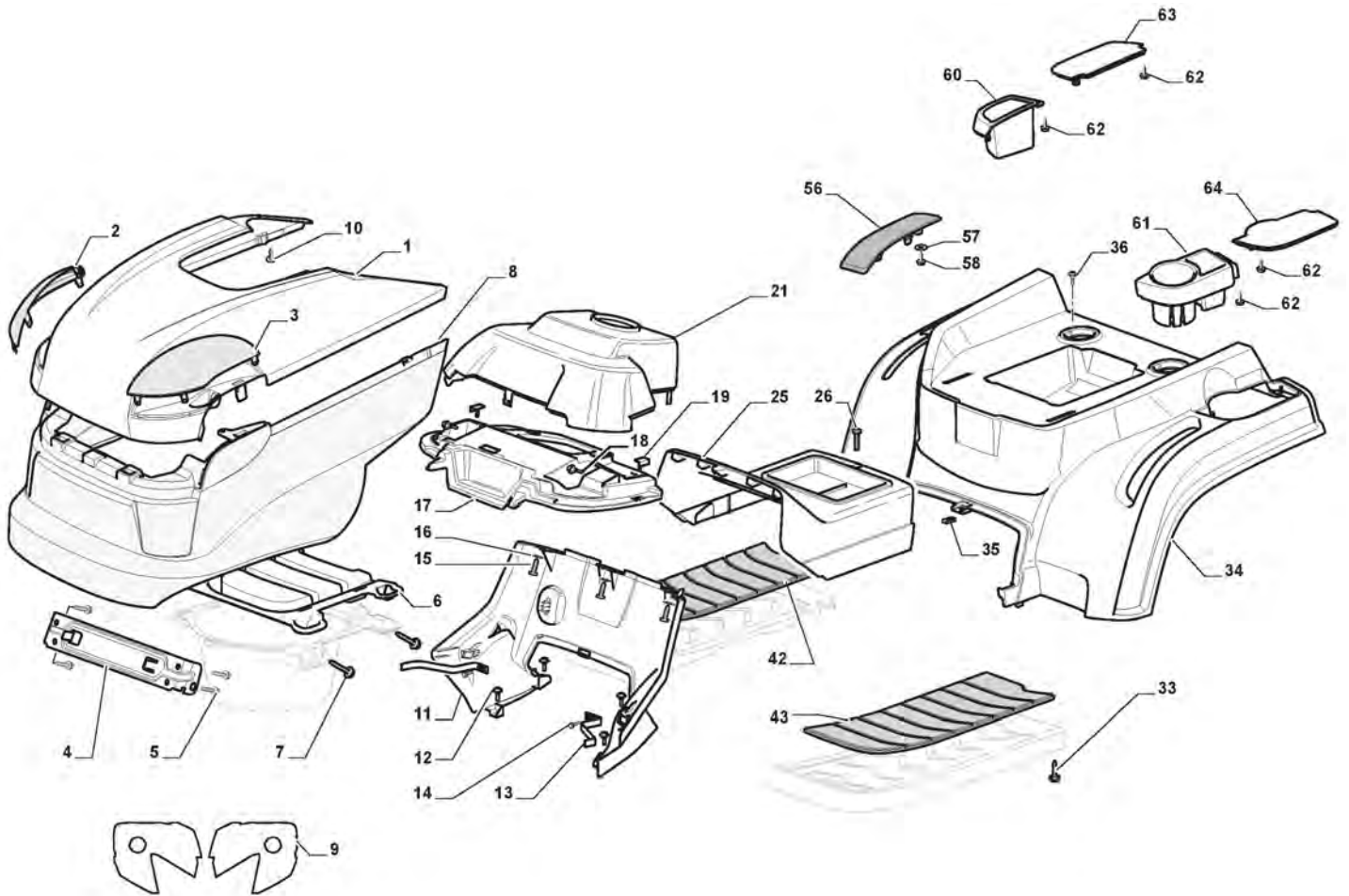
# Chassis

Réf. N°	Q.té :	Code article	Description	Articles	De	Jusqu'à
1	1	124487998/0	Goupille			
2	2	125510079/0	Pivot	To S/N 19LA3RON002089		
2	2	125510169/0	Pivot	From S/N 19DA3RON003315		
3	2	112155000/0	Ecrou			
4	2	112735599/0	Vis			
5	1	325547225/0	Plaquette Droit			
6	1	325547227/0	Plaquette Gauche			
11	1	382785169/1	Support Tube De Direction			
12	4	125943009/0	Vis			
13	1	325785331/1	Support Siege Droit			
14	1	325785333/1	Support Siege Gauche			
15	6	125943009/0	Vis			
17	2	125943009/0	Vis			
18	2	125943009/0	Vis			
19	10	112155000/0	Ecrou			
20	1	325500041/1	Marchepied Droit			
21	1	325500043/1	Marchepied Gauche			
22	2	112735599/0	Vis			
23	1	382785223/0	Support Marchepied			
24	1	382785221/0	Support Marchepied			
25	2	112293201/0	Ecrou			
26	1	325820109/1	Support Siege			
27	2	125160048/0	Entretoise	From 01-September-2014		
27	2	125160077/0	Entretoise	To 31-August-2014		
28	2	125430263/0	Ressort			
30	1	325820111/0	Support			
31	2	125430264/0	Ressort			
32	2	112521350/0	Rondelle			
33	2	112691400/0	Vis			
34	2	325122002/0	Protecteur			
35	1	382547061/0	Plaquette			
36	2	122524970/2	Pivot	To 31-August-2014		
36	2	122524970/3	Goupille	From 01-September-2014		
37	1	382820151/0	Support Siege			
38	2	112155010/0	Ecrou			
39	2	118203854/0	Capot			
40	12	125943009/0	Vis			
41	1	325650155/0	Support	To 31-August-2018		
41	1	325650155/1	Support	From 01-September-2018		
42	1	325650157/0	Support	To 31-August-2018		
42	1	325650157/1	Support	From 01-September-2018		
45	1	325785379/0	Support			
46	2	112728686/0	Vis			



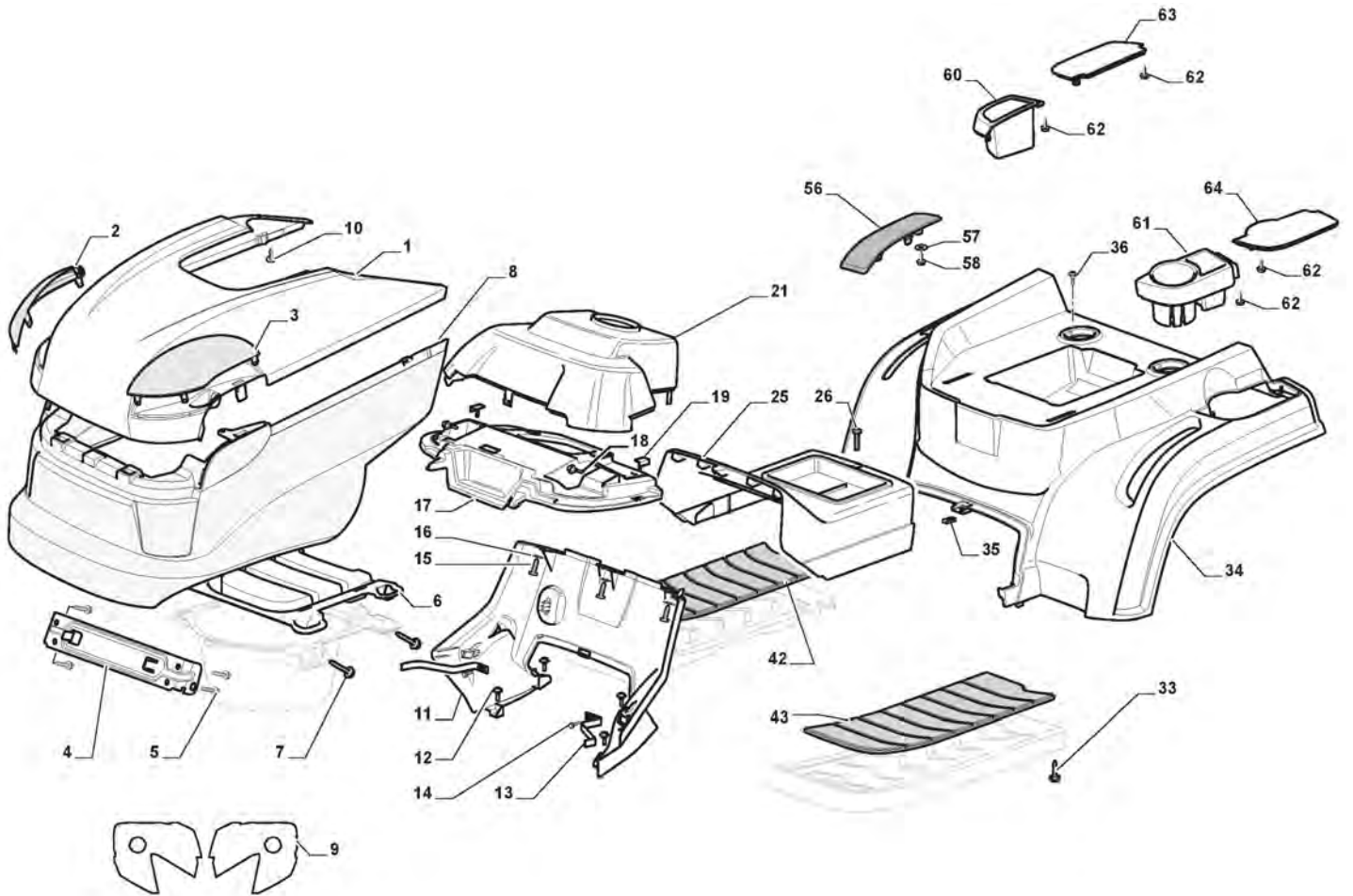
# Frame - Rear Plate

Réf. N°	Q.té :	Code article	Description	Articles	De	Jusqu'à
1	1	325774501/0	Etrier			
2	1	325774507/0	Etrier			
3	2	325650163/0	Renforcement			
4	8	125943009/0	Vis			
5	2	125943009/0	Vis			
6	1	325547299/0	Plaque Arriere, Partie Superieur			
7	1	112789008/0	Vis			
8	1	127430554/0	Ressort	To 31-August-2013		
8	1	127430600/0	Ressort	From 01-September-2013		
9	1	112154330/0	Ecrou			
10	4	125943010/0	Vis			
11	6	112789008/0	Vis			
12	6	112521320/0	Rondelle			
13	6	112437503/0	Plaquette			
15	2	112728686/0	Vis			
16	1	325109522/0	Couvercle Protection			
17	1	325318276/0	Levier			
18	1	325785400/0	Support	To 31-August-2012		
18	1	325785428/0	Support	From 01-September-2012		
19	2	125943010/0	Vis			
20	1	325318277/0	Levier			
25	4	125943009/0	Vis			
26	2	325774521/0	Etrier			
28	1	325650151/0	Renforcement			
29	1	325650153/0	Renforcement			
30	1	112789008/0	Vis			
31	1	325755061/0	Etrier			
32	1	112154330/0	Ecrou			
33	1	325774533/0	Etrier			
34	1	125510080/1	Pivot	To 31-August-2015		
34	1	125510080/2	Pivot	From 01-September-2015		
35	1	112154510/0	Ecrou			
36	1	125430282/0	Ressort			
37	1	382547071/0	Plaque Arriere, Partie Inferieur			
40	1	382180121/0	Dotation Visserie			
41	1	325600107/0	Protection Micro			



# Carrosserie

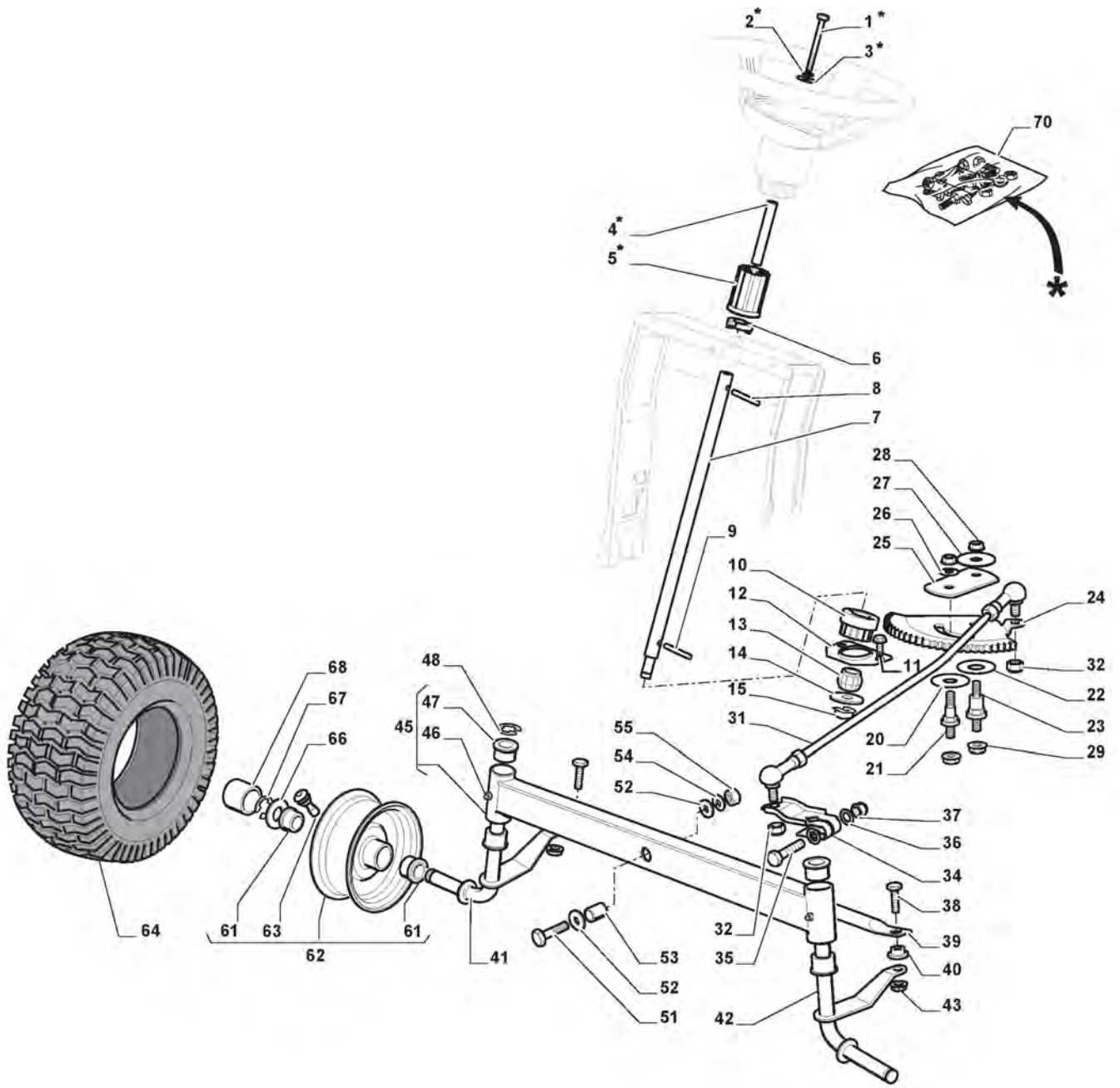
Réf. N°	Q.té :	Code article	Description	Articles	De	Jusqu'à
1	1	325076910/0	Capot Superieure Rouge	Light Red;To 31-August-2016		
1	1	325076910/1	Capot Superieure Rouge	Light Red;From 01-September-2016		
2	1	325410901/0	Panneau Droit			
3	1	325410902/0	Panneau Gauche			
4	1	325785365/0	Support Capot			
5	4	112735403/0	Vis			
6	1	325263302/1	Capot avant noir			
7	4	112728692/0	Vis			
8	1	325076911/0	Capot Inferieure	To 31-August-2013		
8	1	325076911/1	Capot Inferieure	From 01-September-2013		
9	1	114363452/0	Autocollant Parabole Phare			
9	1	114365476/1	Autocollant Parabole Phare			
10	2	112728686/0	Vis			
11	1	325785298/0	Support Tableau Comm.			
12	4	125943010/0	Vis			
13	2	325270325/0	Guide			
14	2	112735599/0	Vis			
15	3	112735406/0	Vis			
16	3	112523040/0	Rondelle			
17	1	325120202/1	Console	To 31-August-2012		
17	1	325120209/0	Console	From 01-September-2012 To 31-August-2014		
17	1	325120259/0	Console	From 01-September-2014 To 31-August-2015		
17	1	325120259/1	Console	From 01-September-2015 To 31-August-2017		
17	1	325120259/2	Console	From 01-September-2017		
18	2	125943010/0	Vis			
19	2	325260003/0	Caoutchouc			
21	1	325120203/0	Couvercle			
25	1	325110383/1	Couvre, Rouge	Light Red;To 31-August-2016		
25	1	325110383/2	Couvre, Rouge	Light Red;From 01-September-2016		
26	1	125943010/0	Vis			
33	4	112735406/0	Vis			
34	1	325110432/0	Couvre Roues Rouge	Light Red;To 31-August-2016		
34	1	325110432/1	Couvre Roues Rouge	Light Red;From 01-September-2016		
35	1	112437506/0	Plaquette			
36	2	125943010/0	Vis			
42	1	325110384/0	Couvre Marchepied Droit	AS OPTIONAL - Not present on all Assortment		
43	1	325110385/0	Couvre Marchepied Gauche	AS OPTIONAL - Not present on all assortment		
56	1	325207203/0	Couvercle			
57	4	112523050/0	Rondelle			
58	2	112735403/0	Vis			
60	1	325207198/0	Couvercle			
61	1	325207199/0	Couvercle			
62	4	112735403/0	Vis			
63	1	325207196/0	Couvercle			





# Carrosserie

Réf. N°	Q.té :	Code article	Description	Articles	De	Jusqu'à
64	1	325207197/0	Couvercle			



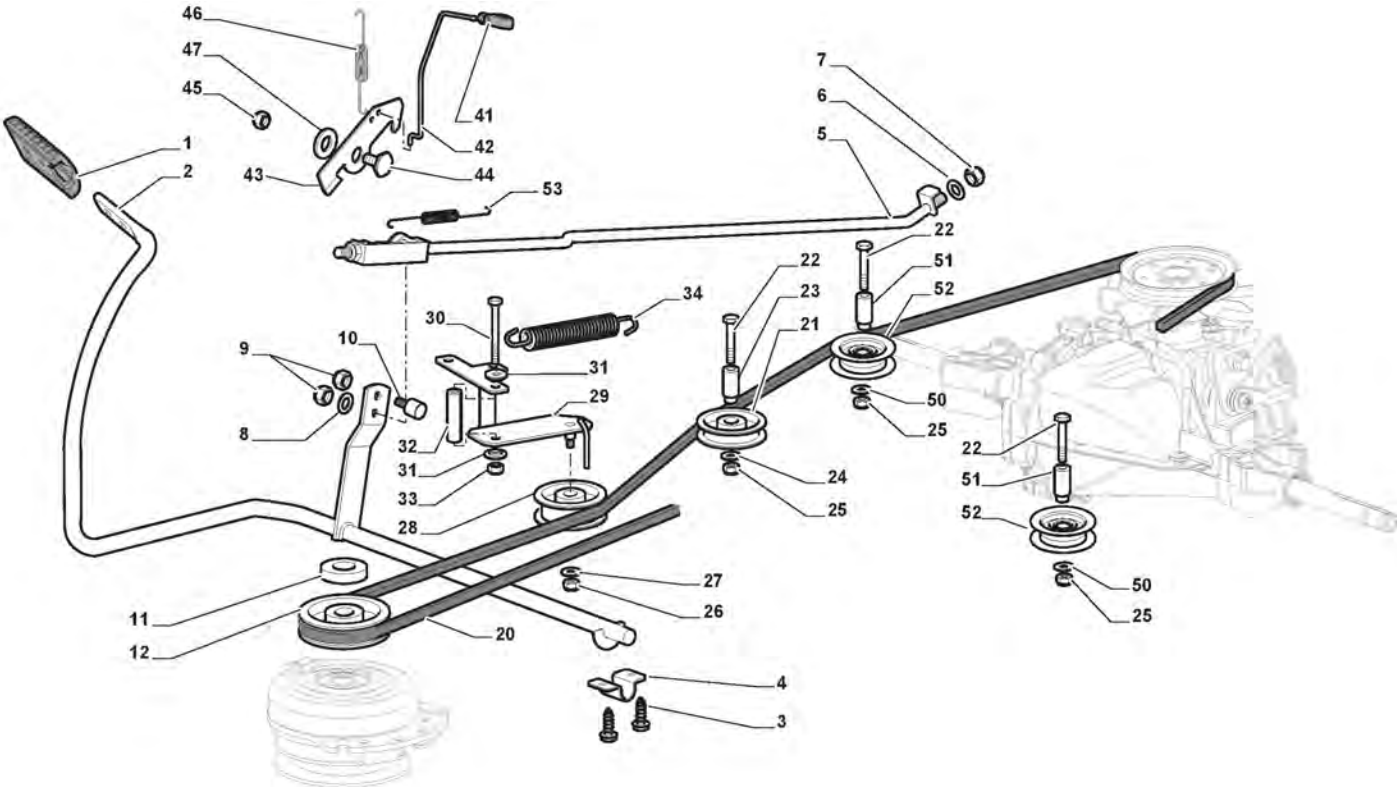
## Barre De Direction

Réf. N°	Q.té :	Code article	Description	Articles	De	Jusqu'à
1	1	112692050/0	Vis			
2	1	112540260/0	Rondelle			
3	1	112523070/0	Rondelle			
4	1	125160047/0	Entretoise			
5	1	325785318/0	Support			
6	1	325038008/0	Douille			
7	1	125520007/0	Tube De Direction			
8	1	112620300/0	Ressort			
9	1	112622650/0	Goupille			
10	1	125570003/0	Pignon			
11	2	127943051/0	Vis			
12	1	325785213/1	Support			
13	1	325743000/0	Joint			
14	1	112521370/0	Rondelle			
15	1	112436030/0	Plaquette			
20	1	322672151/0	Rondelle Antifricion			
21	1	125510104/0	Pivot			
22	1	125670023/0	Rondelle			
23	1	125510109/0	Pivot			
24	1	325735519/0	Secteur Direction			
25	1	325547233/0	Plaquette			
26	1	112369500/0	Disque Elastique			
27	1	122160400/0	Disque Elastique			
28	2	112155010/0	Ecrou			
29	2	112154210/0	Ecrou			
31	1	382000566/1	Barre De Direction			
32	2	112156602/0	Ecrou			
34	1	325318243/0	Levier			
35	1	112692390/0	Vis			
36	2	112521360/0	Rondelle			
37	1	112156602/0	Ecrou			
38	2	125510103/0	Pivot			
39	1	325840029/0	Tirant			
40	2	325038007/0	Douille			
41	1	382230373/0	Fuseau Droit			
42	1	382230375/0	Fuseau Gauche			
43	2	112155000/0	Ecrou			
45	1	382034030/0	Balancier Avec Douille Et Graisseur			
46	2	112379511/0	Graisseur			
47	4	125034002/1	Douille			
48	1	112001010/0	Anneau Benzing			
51	1	112692695/0	Vis			
52	2	112523100/0	Rondelle			
53	1	125160016/0	Entretoise	To 31-August-2013		
53	1	125160016/1	Entretoise	From 01-September-2013		
54	1	112587100/0	Grower			
55	1	112295300/0	Ecrou			
61	4	125122200/2	Roulement			



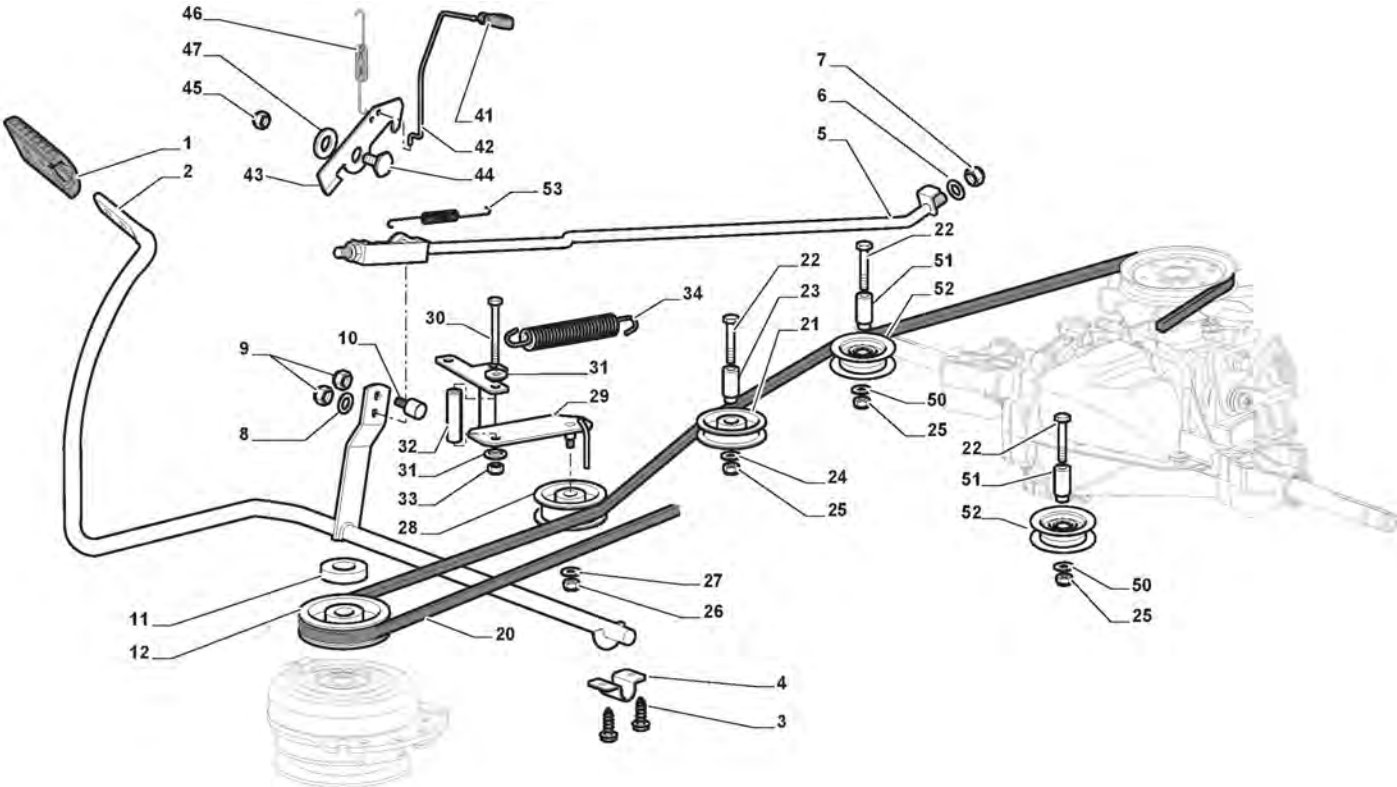
## Barre De Direction

Réf. N°	Q.té :	Code article	Description	Articles	De	Jusqu'à
62	2	182000598/0	Bandage Roue			
63	2	125950000/0	Vanne			
64	2	125590019/0	Pneu 15x6.00-6 P512 WANDA	For other ST Brand;From 01-September-2016		
64	2	127590066/0	Pneu 15x6.00-6 WANDA	For other ST Brand;To 31-August-2015		
66	2	125670005/1	Rondelle	To 31-August-2014		
66	2	125670005/2	Rondelle	From 01-September-2014		
67	2	112001010/0	Anneau Benzing			
68	2	322110233/0	Couvre Moyeu			
70	1	382180124/0	Dotation Visserie			



# Commande Frein Et Boite De Vitesse

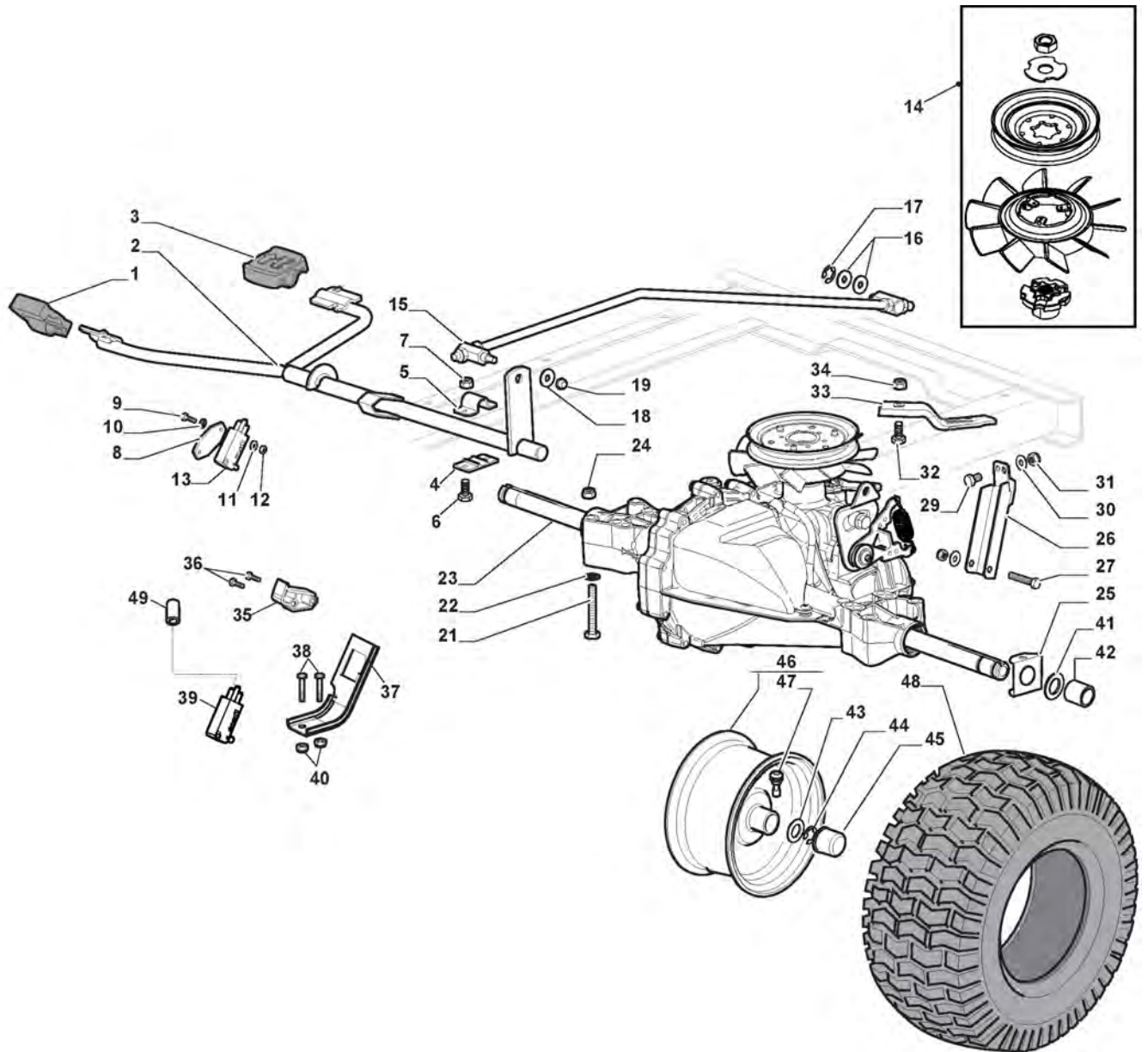
Réf. N°	Q.té :	Code article	Description	Articles	De	Jusqu'à
1	1	325110409/0	Couvre Etrier			
2	1	382000641/0	Pedal	To 31-march-2019		
2	1	382000641/1	Pedal	From 01-April-2019		
3	4	112735599/0	Vis			
4	2	325547231/0	Plaquette			
5	1	382000636/0	Tige			
6	1	112521360/0	Rondelle			
7	1	112156602/0	Ecrou			
8	1	325670011/0	Rondelle Antifriction			
9	2	112155000/0	Ecrou			
10	1	125510116/0	Pivot	To S/N 19DA3RON003314		
10	1	125510166/0	Pivot	From S/N 19DA3RON003315		
11	1	125160021/0	Entretoise	To 31-August-2014		
11	1	125160059/0	Entretoise	From 01-September-2014		
12	1	125601577/0	Poulie			
20	1	135062001/0	Courroie Trapézoïdale	To 31-August-2014		
20	1	135062020/1	Courroie Trapézoïdale	From 01-September-2014		
21	1	125601555/0	Poulie	To 31-August-2013		
21	1	325601599/0	Poulie	From 01-September-2013		
22	3	112691400/0	Vis			
23	1	125160051/0	Entretoise	To S/N 00088193		
23	1	125160083/0	Entretoise	From S/N 00088194 To S/N 19LA3RON001058		
23	1	125160107/0	Entretoise	From S/N 19JA3RON001862		
24	3	112523060/0	Rondelle			
25	3	112155000/0	Ecrou			
26	1	112155000/0	Ecrou			
27	1	112523060/0	Rondelle			
28	1	125601554/0	Poulie			
29	1	382318245/0	Levier			
30	1	112691600/0	Vis			
31	2	125038002/1	Douille	To 31-August-2016		
31	2	125038021/0	Douille	From 01-September-2016		
32	1	125160027/0	Entretoise			
33	1	112155000/0	Ecrou			
34	1	125430262/0	Ressort			
41	1	125394509/1	Poignée	From 01-September-2013		
41	1	325394534/0	Poignée	To 31-August-2013		
42	1	125033083/0	Tige	To 31-August-2013		
42	1	125033113/0	Tige	From 01-September-2013		
43	1	325253011/1	Accrochage			
44	1	122524970/2	Pivot	To 31-August-2014		
44	1	122524970/3	Goupille	From 01-September-2014		
45	1	112155000/0	Ecrou			
46	1	125430213/0	Ressort			
47	1	112523060/0	Rondelle			
50	2	112521350/0	Rondelle			
51	2	125160068/0	Entretoise	To S/N 19FA3RON000496		
51	2	125160111/0	Entretoise	From S/N 19FA3RON000497		





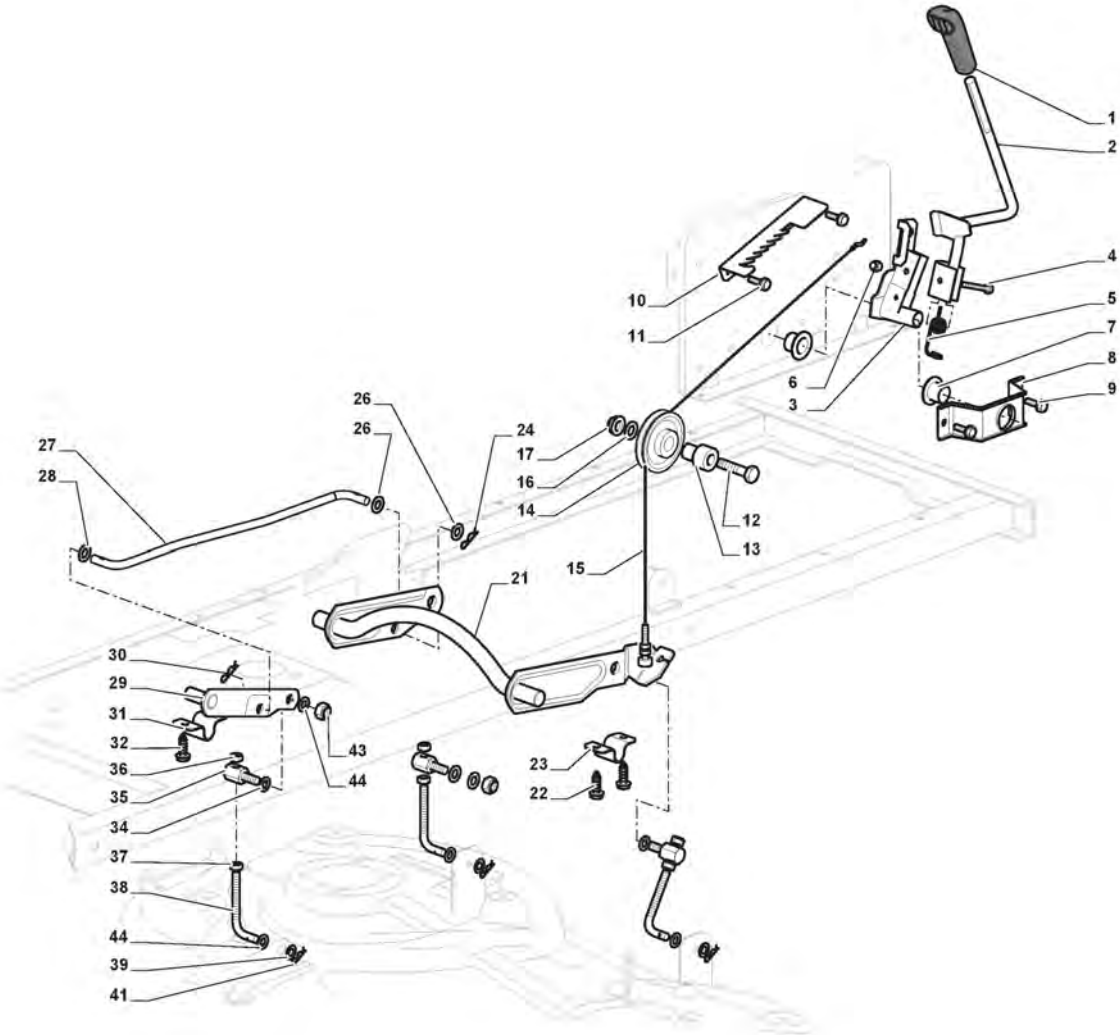
# Commande Frein Et Boite De Vitesse

Réf. N°	Q.té :	Code article	Description	Articles	De	Jusqu'à
52	2	125601592/0	Poulie	To 31-December-2019		
52	2	125601608/0	Poulie	From 01-January-2020		
53	1	125430269/1	Ressort			



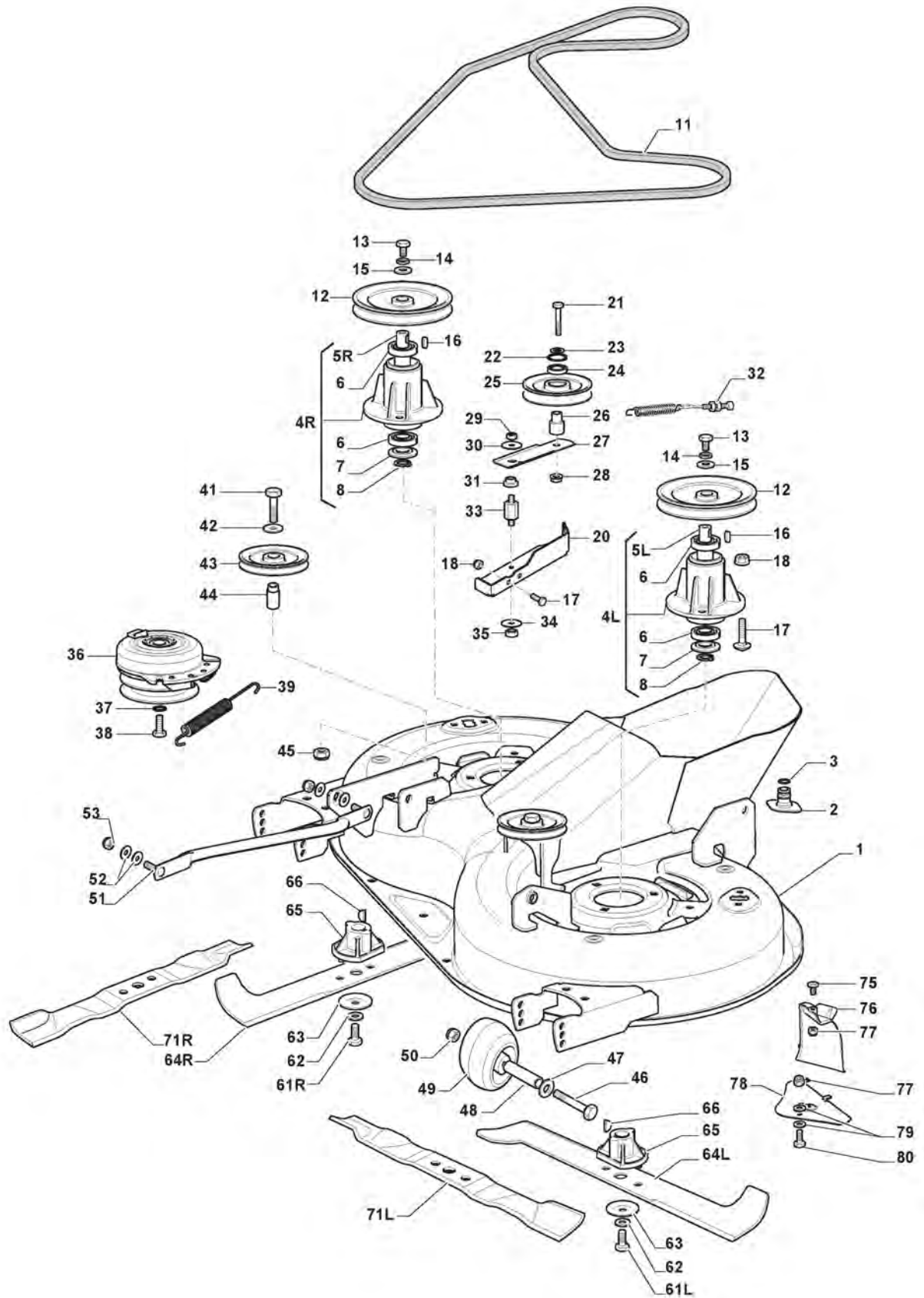
# Transmission

Réf. N°	Q.té :	Code article	Description	Articles	De	Jusqu'à
1	1	325110274/0	Couvre Etrier Avant			
2	1	382000574/2	Getriebepedal			
3	1	325110331/0	Couvre Etrier Arriere			
4	2	325785350/0	Support			
5	2	325547231/0	Plaquette			
6	4	112791213/1	Vis			
7	4	112154510/0	Ecrou			
8	1	327546019/0	Plaquette			
9	2	112735602/0	Vis			
10	2	112540020/0	Rondelle			
11	2	112581100/0	Grower			
12	2	112290791/0	Ecrou			
13	1	119410609/1LC	Microinterrupteur			
14	1	1139-2201-01	Kit, Ventilateur Poulie			
14	1	118802721/0	Fan Kit	To 31-August-2016		
15	1	382000573/1	Tige			
16	2	325670011/0	Rondelle Antifriccion			
17	1	112000940/0	Anneau Benzing			
18	1	112523040/0	Rondelle			
19	1	112154510/0	Ecrou			
21	4	112691600/0	Vis			
22	4	112521350/0	Rondelle			
23	1	118400921/0	Axe Arriere (Hydro-Gear T2-Adbf-2X3C-1Rx1)			
24	4	112155000/0	Ecrou			
25	2	325670026/0	Rondelle			
26	1	325785349/1	Support			
27	1	112691700/0	Vis			
29	1	112792611/0	Vis			
30	2	112523060/0	Rondelle			
31	2	112155000/0	Ecrou			
32	1	112791213/1	Vis			
33	1	325318251/0	Levier			
34	1	112154510/0	Ecrou			
35	1	325060034/1	Came			
36	2	112735403/0	Vis			
37	1	325774573/0	Etrier			
38	2	112791400/0	Vis			
39	1	119410614/0	Microinterrupteur			
40	2	112154510/0	Ecrou			
41	2	125670005/2	Rondelle			
42	2	125160058/0	Entretoise			
43	6	125670005/2	Rondelle			
44	2	112001010/0	Anneau Benzing			
45	2	322110233/0	Couvre Moyeu	Standard Black Cover		
46	2	382000597/0	Bandage Roue Arriere			
47	2	125950000/0	Vanne			
48	2	125590015/0	Pneu 18x8.50-8 P332 WANDA			
49	1	118203851/0	Capot			



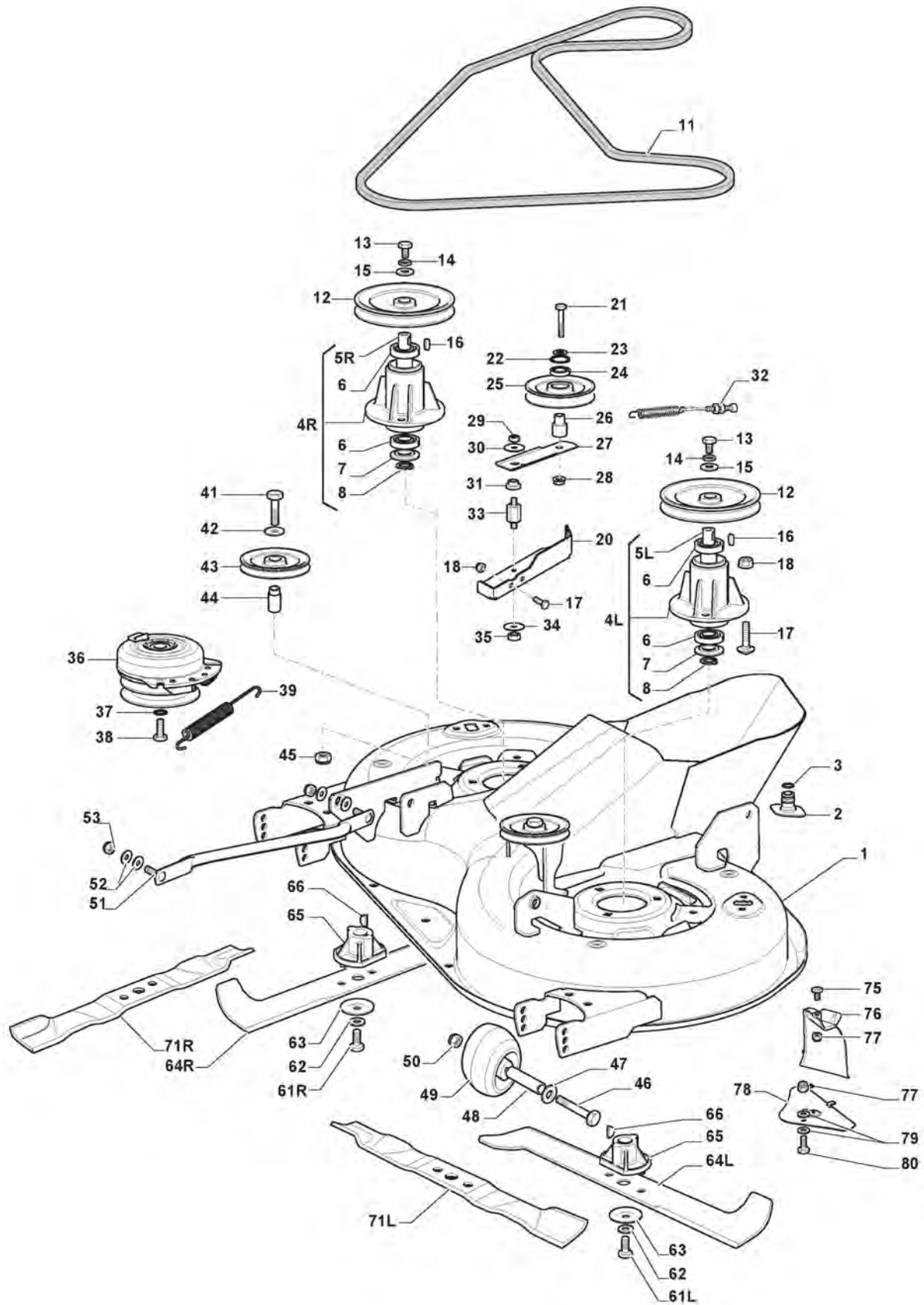
# Soulevement Plateau De Coupe

Réf. N°	Q.té :	Code article	Description	Articles	De	Jusqu'à
1	1	325394533/0	Poignée			
2	1	382318255/0	Levier			
3	1	382318231/0	Axe			
4	1	112674700/0	Vis			
5	1	125430261/0	Ressort			
6	1	112154510/0	Ecrou			
7	2	325038006/0	Douille			
8	1	325785297/0	Support			
9	2	125943009/0	Vis			
10	1	325735515/0	Secteur Direction			
11	2	125943009/0	Vis			
12	1	112793701/0	Vis			
13	1	125040636/1	Douille			
14	1	125601579/0	Poulie			
15	1	382004620/0	Fil			
16	1	112523060/0	Rondelle			
17	1	112293201/0	Ecrou			
21	1	382318297/0	Axe	To 31-March-2019		
21	1	382318297/1	Axe	From 01-April-2019		
22	4	112735599/0	Vis			
23	2	325547231/0	Plaquette			
24	1	124487997/0	Goupille			
26	2	325670010/0	Rondelle Antifriction			
27	1	125033109/0	Tige De Connexion			
28	1	325670010/0	Rondelle Antifriction			
29	1	382318293/0	Axe	To 31-March-2019		
29	1	382318293/1	Axe	From 01-April-2019		
30	1	124487997/0	Goupille			
31	1	325547231/0	Plaquette			
32	2	112735599/0	Vis			
34	3	325670008/1	Rondelle			
35	3	125510107/1	Pivot	To S/N 19KA3RON005043		
35	3	125510170/0	Pivot	From S/N 19EA3RON001208		
36	3	112156602/0	Ecrou			
37	3	112295200/0	Ecrou			
38	3	125840012/0	Tirant			
39	3	325670008/1	Rondelle			
41	3	124487998/0	Goupille			
43	3	112156602/0	Ecrou			
44	6	112521360/0	Rondelle			



# Plateau De Coupe avec Embrayage Electromagnétique

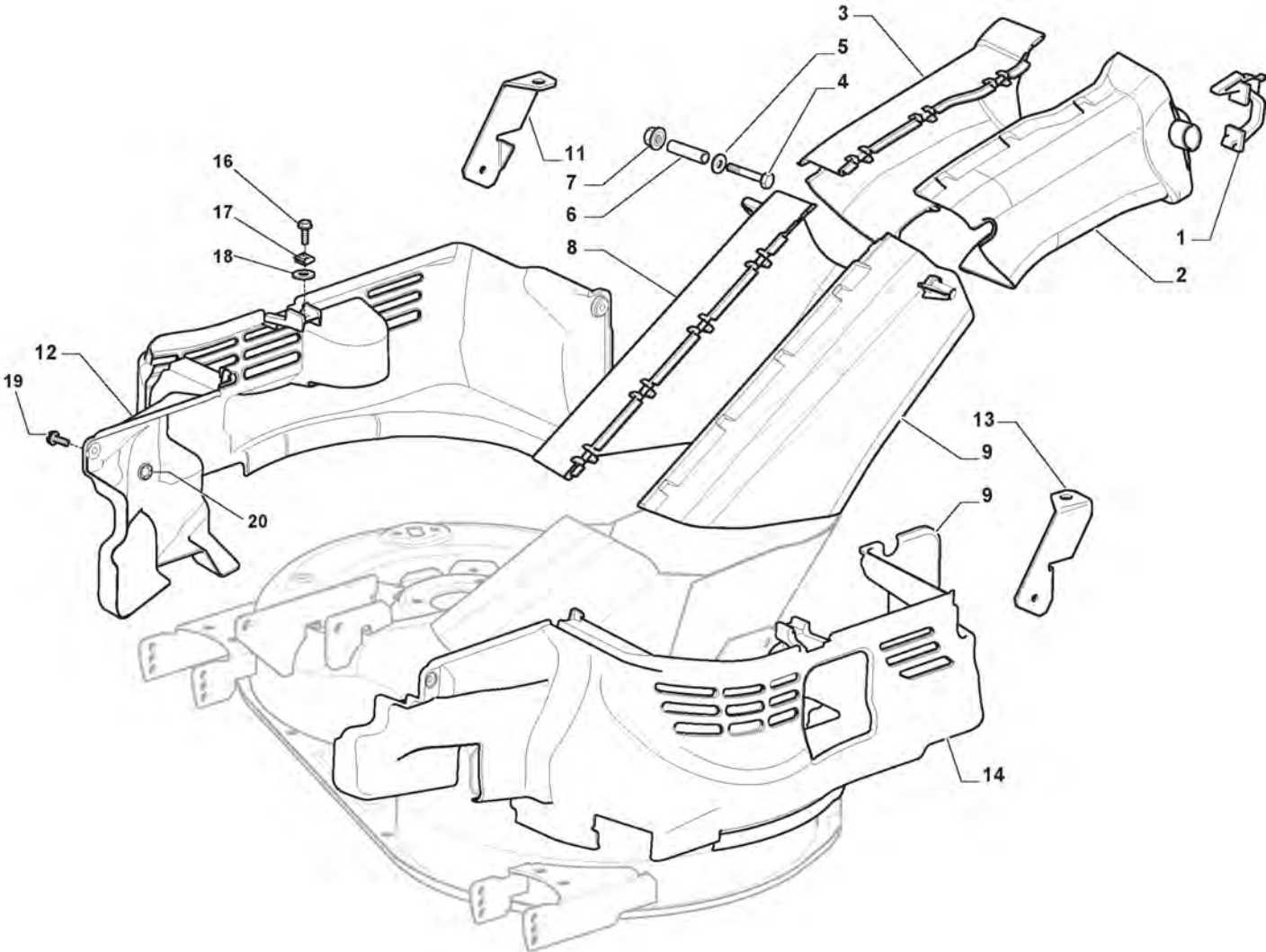
Réf. N°	Q.té :	Code article	Description	Articles	De	Jusqu'à
1	1	382564113/0	Plateau De Coupe Noir			
2	2	325033086/0	Raccord Tuyau D'Eau			
3	2	119035000/0	Joint Or			
4L	1	382207204/1	Ensamble Bride	Pos. 4L;From 01-September-2016		
4R	1	382207205/0	Ensamble Bride	Pos. 4R;To 31-August-2015		
4R	1	382207205/1	Ensamble Bride	Pos. 4R;From 01-September-2015		
4L	1	382207206/0	Ensamble Bride	Pos. 4L;To 31-August-2015		
4L	1	382207206/1	Ensamble Bride	Pos. 4L;From 01-September-2015 To 31-August-2016		
5L	1	125020804/0	Arbre	Pos. 5L		
5R	1	125020805/0	Arbre	Pos. 5R		
6	4	119216040/0	Roulement	To 31-August-2018		
6	4	119216047/0	Roulement	From 01-September-2018		
7	2	325160501/0	Protege-Poussiere	To 31-december-2018		
7	2	325160501/1	Protege-Poussiere	From 01-January-2019		
8	2	112609260/0	Seeger			
11	1	135061508/0	Courroie			
12	2	125601585/1	Poulie			
13	2	112793102/0	Vis			
14	2	112540260/0	Rondelle			
15	2	125670007/0	Rondelle			
16	2	112139480/0	Clavette			
17	6	112818690/0	Vis			
18	6	112154210/0	Ecrou			
20	1	325785391/0	Etrier			
21	1	112691400/0	Vis			
22	1	112524010/0	Rondelle			
23	1	112610800/0	Anneau Ressort			
24	1	119216041/0	Roulement	To 31-August-2018		
24	1	119216048/0	Roulement	From 01-September-2018		
25	1	125601595/0	Poulie			
26	1	125160052/0	Entretoise			
27	1	325318289/0	Levier			
28	1	112293201/0	Ecrou			
29	1	112155020/0	Ecrou			
30	1	125670022/0	Rondelle			
31	1	125040635/0	Douille			
32	1	382004618/0	Fil			
33	1	125160049/0	Entretoise			
34	1	112523080/0	Rondelle			
35	1	112156602/0	Ecrou			
36	1	118399069/0	Friction			
37	1	112543000/0	Rondelle			
38	1	112737320/0	Vis			
39	1	125430277/0	Ressort			
41	2	112691115/0	Vis			
42	2	112523060/0	Rondelle			
43	2	125601555/0	Poulie	To 31-August-2013		





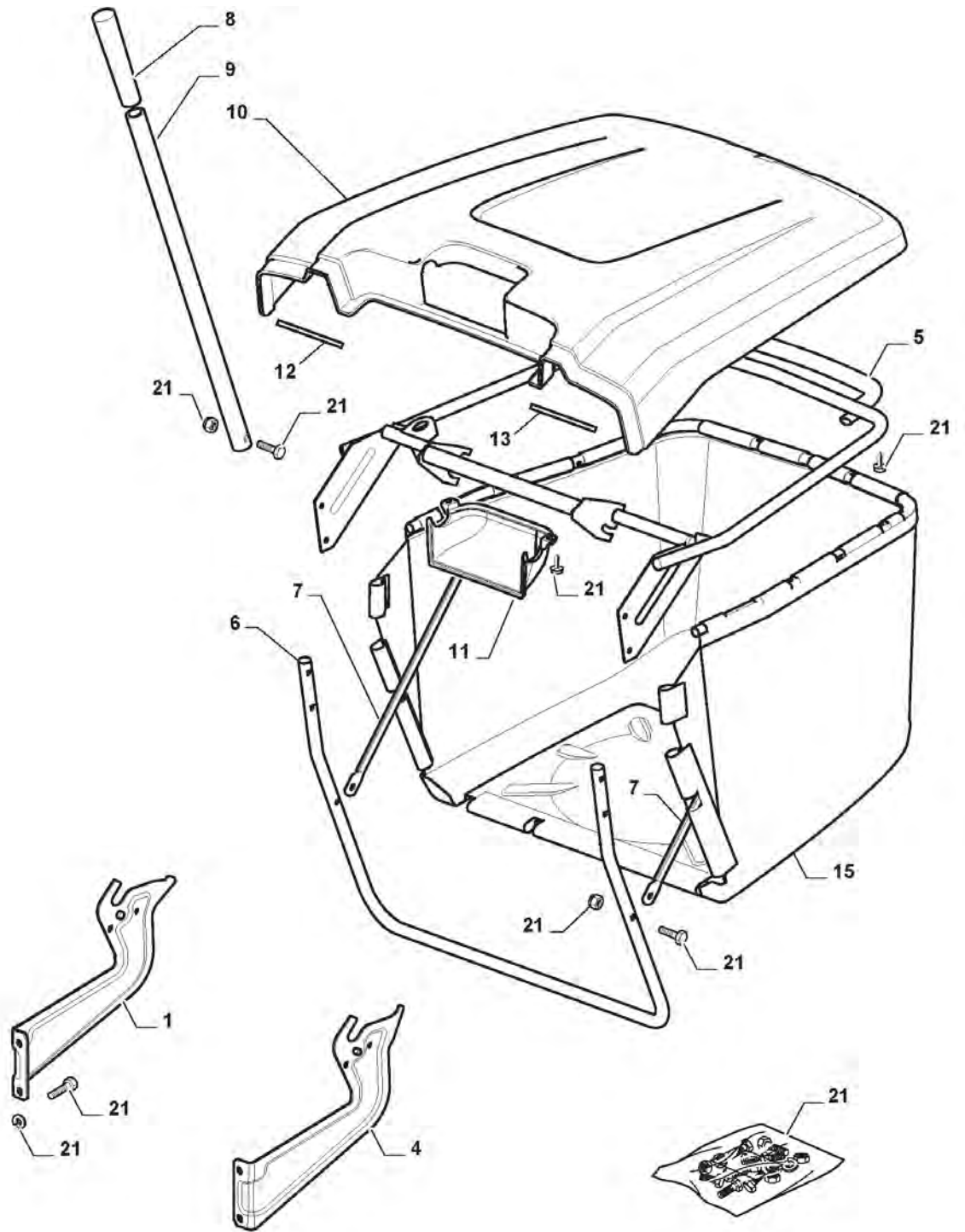
# Plateau De Coupe avec Embrayage Electromagnétique

Réf. N°	Q.té :	Code article	Description	Articles	De	Jusqu'à
43	2	325601599/0	Poulie	From 01-September-2013		
44	2	125160069/0	Entretoise	To S/N 00088193		
44	2	125160082/0	Entretoise	From S/N 00088194 To S/N 19LA3RON007423		
44	2	125160110/0	Entretoise	From S/N 19FA3RON000413		
45	2	112155000/0	Ecrou			
46	2	112692100/0	Vis			
47	2	112523060/0	Rondelle			
48	2	125160072/0	Entretoise			
49	2	182700005/0	Roulettes Antiscalp Ø 90			
50	2	112293201/0	Ecrou			
51	2	382000565/0	Tige Balancier	To 31-August-2016		
51	2	382000565/1	Tige Balancier	From 01-September-2016		
52	8	325670008/1	Rondelle			
53	4	112156602/0	Ecrou			
61L	1	112735694/0	Vis	Pos. 61L		
61R	1	112735695/1	Vis	Pos. 61R		
62	2	112523080/0	Rondelle			
63	2	122160400/0	Disque Elastique			
64R	1	182004358/0	Lame Droit, Aillettee	Pos. 64R - Winged		
64L	1	182004359/0	Lame Gauche, Aillettee	Pos. 64L - Winged		
65	2	125463200/0	Moyeu Lame			
66	2	112139100/0	Languette			
71R	1	182004360/0	Lame Droit Mulching	Pos. 71R - Mulching		
71L	1	182004361/0	Lame Gauche Mulching	Pos. 71L - Mulching		
75	3	112791213/1	Vis			
76	1	325140108/0	Deflecteur			
77	4	112154510/0	Ecrou			
78	1	325785418/0	Support			
79	4	112523040/0	Rondelle			
80	1	112790781/0	Vis			



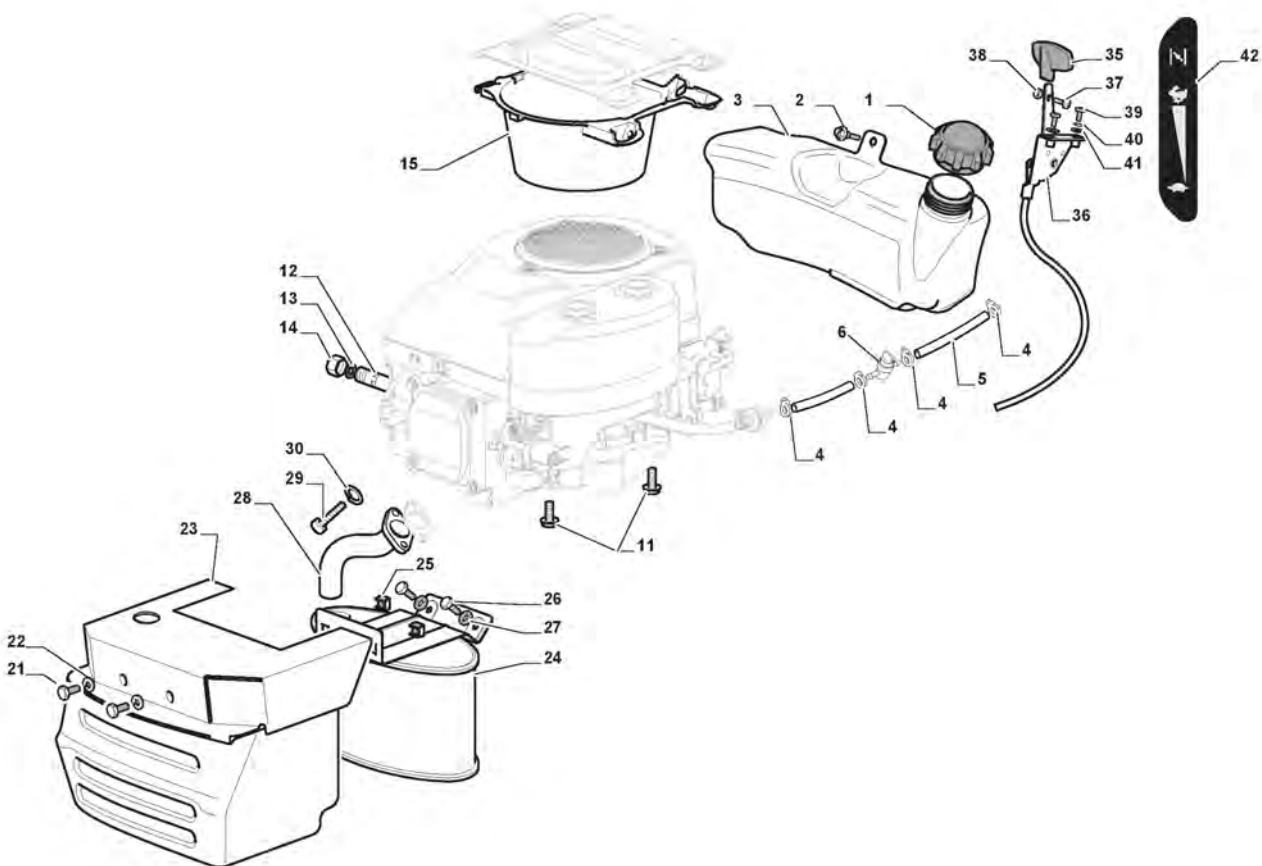
# Protections Courroie

Réf. N°	Q.té :	Code article	Description	Articles	De	Jusqu'à
1	2	325774499/0	Etrier			
2	1	325108057/0	Convoyeur			
3	1	325108056/0	Convoyeur			
4	2	112792425/0	Vis			
5	2	112521340/0	Rondelle			
6	2	125160071/0	Entretoise	To S/N 19LA3RON007423		
6	2	125160109/0	Entretoise	From S/N 19FA3RON000413		
7	2	112154510/0	Ecrou			
8	1	325108064/0	Convoyeur			
9	1	325108065/0	Convoyeur			
11	1	325774527/0	Etrier			
12	1	325060168/0	Carter			
13	1	325774529/0	Etrier			
14	1	325060169/0	Carter			
16	2	112789008/0	Vis			
17	2	112437503/0	Plaquette			
18	2	112523020/0	Rondelle			
19	4	125943011/0	Vis			
20	4	112604899/0	Fixateur A Couronne			



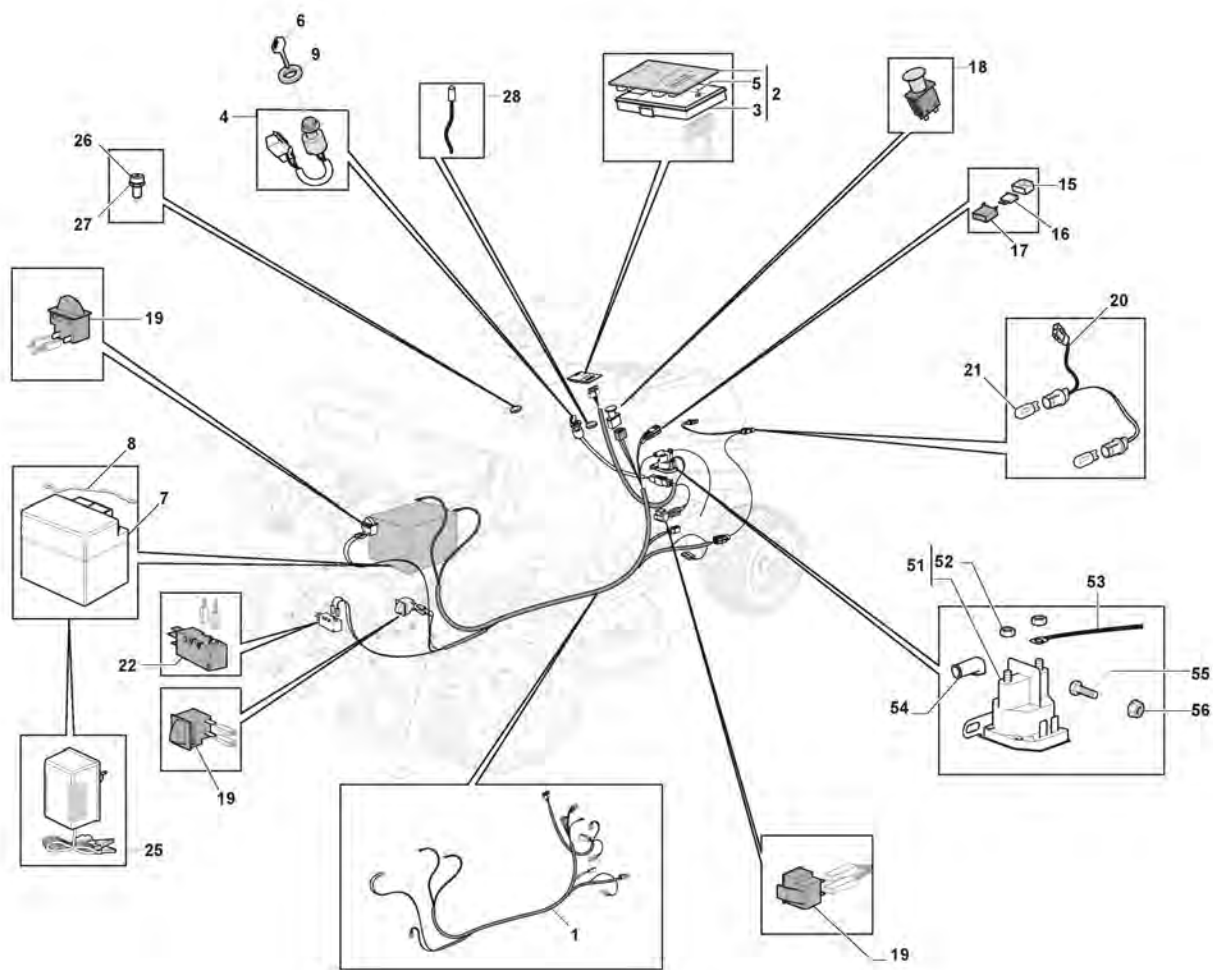
# Bac

Réf. N°	Q.té :	Code article	Description	Articles	De	Jusqu'à
1	1	325785377/0	Support			
4	1	325785383/0	Support			
5	1	382800139/0	Chassis Superieur			
6	1	382800141/0	Chassis Avant			
7	2	325650149/0	Renforcement			
8	1	125394508/0	Poignée			
9	1	325869087/0	Tige			
10	1	325110431/0	Couvre-Bac Rouge	To 31-August-2016		
10	1	325110431/1	Couvre-Bac Rouge	From 01-September-2016		
11	1	325207195/0	Couvre-Poignee			
12	1	125270802/0	Garniture			
13	1	125270803/0	Garniture			
15	1	182105947/0	Bac	Black without Logo		
21	1	382180123/0	Dotation Visserie			



## Moteur - ST.

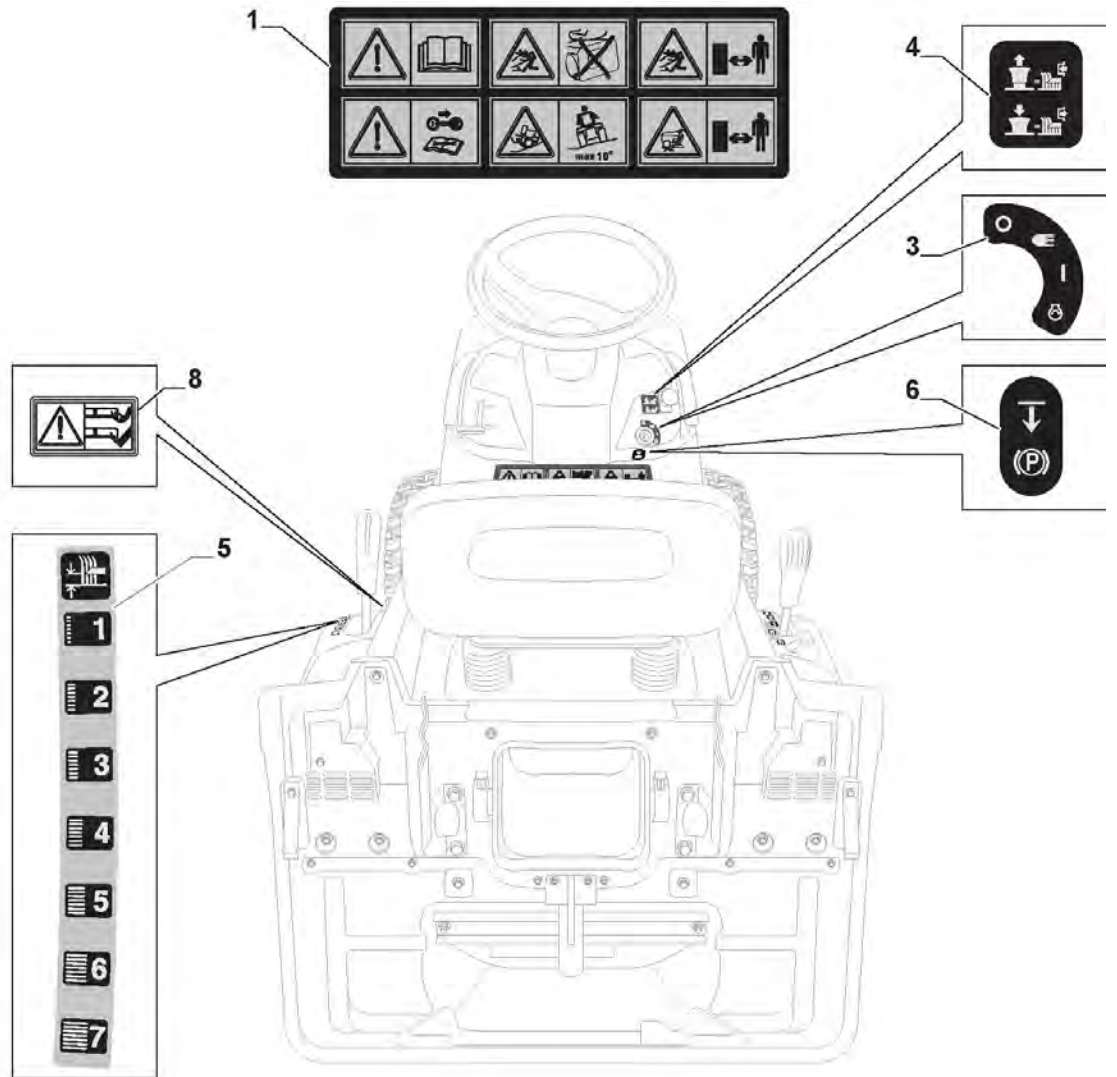
Réf. N°	Q.té :	Code article	Description	Articles	De	Jusqu'à
1	1	125795001/1	Bouchon			
2	4	125943006/0	Vis			
3	1	325735126/0	Réservoir à carburant	To 31-August-2017		
3	1	325735126/1	Reservoir	From 01-September-2017		
4	4	118375051/1	Fixation De Cable			
5	1	325869057/0	Tube De Connexion			
6	1	118562996/0	Rubinet			
11	4	112735108/1	Vis			
12	1	127598060/0	Rallonge Dechargement Huile			
13	1	118401001/1	Garniture			
14	1	118737849/0	Bouchon			
15	1	325108044/0	Convoyeur	To 31-August-2010		
15	1	325108044/1	Convoyeur	From 01-September-2010		
21	2	112792611/0	Vis			
22	2	112540260/0	Rondelle			
23	1	382598045/0	Protection Silencieux	To 25-May-2019		
23	1	382598045/1	Protection Silencieux	From 27-May-2019		
24	1	182750010/0	Silencieux			
25	2	112360425/0	Ecrou			
26	2	112792611/0	Vis			
27	2	112540260/0	Rondelle			
28	1	118738231/1	Tube Echappement			
29	2	112737450/0	Vis			
30	2	112540260/0	Rondelle			
35	1	325394531/0	Poignée			
36	1	182000215/0	Accelerateur			
37	1	112726389/0	Vis			
38	1	112290800/0	Ecrou			
39	2	112726389/0	Vis			
40	2	112540020/0	Rondelle			
41	2	112521310/0	Rondelle			
42	1	114363697/0	Etiquette			





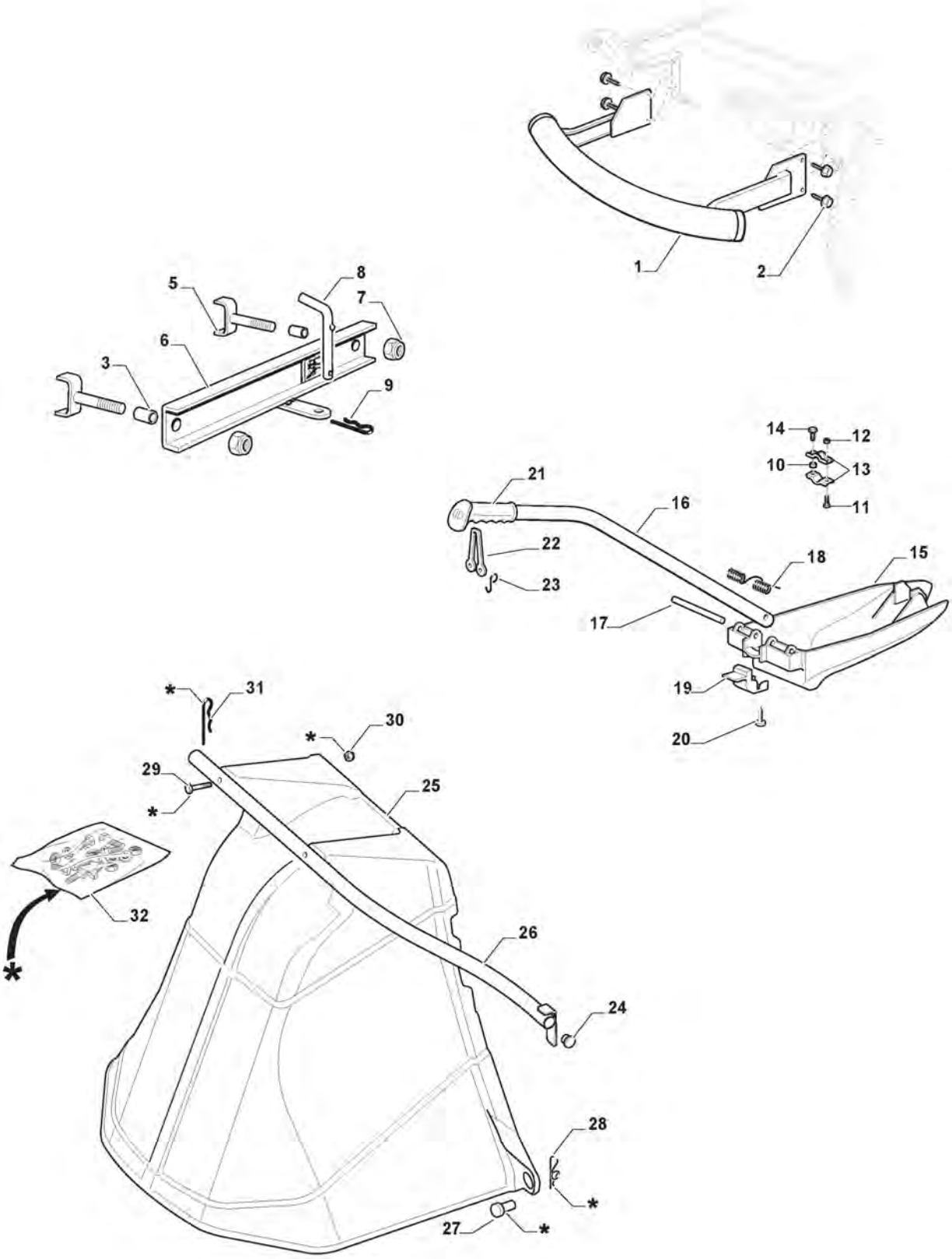
## Parties Electriques

Réf. N°	Q.té :	Code article	Description	Articles	De	Jusqu'à
1	1	182040199/0	Ens. Cablages	Hydro Model with B&S-Stiga-Kawaski Engine;To 31-August-2016		
1	1	182040199/1	Ens. Cablages	Hydro Model with B&S-Stiga-Kawaski Engine;From 01-September-2016		
2	1	382722444/0	Carte Electronique	To 31-August-2015		
2	1	382722444/1	Carte Electronique	From 01-September-2015		
3	1	112735105/0	Vis			
4	1	118450075/1	Interrupteur Demarrage			
5	1	325600090/0	Protection De Carte	To 31-August-2015		
5	1	325600090/1	Protection De Carte	From 01-September-2015		
6	1	118210023/0	Clef A Demarrage			
7	1	118120002/1	Batterie	To 31-August-2016		
7	1	118120007/0	Batterie	From 01-September-2016		
8	1	125430265/1	Ressort			
9	1	118400863/0	Manchon Expansible			
15	2	133215000/0	Couvercle			
16	1	133340036/0	Fusible 25 A			
16	1	133340040/0	Fusible 10 A			
17	2	133500007/0	Tableau De Fusible			
18	1	118450074/0	Interrupteur Embrajage			
19	3	119410613/0	Microinterrupteur	To 31-August-2019		
19	1	119410622/1	Microinterrupteur	From 01-September-2019		
20	1	182040186/0	Cables			
21	2	118459100/0	Ampoule De Phares			
22	1	119410605/1	Microinterrupteur			
25	1	182180090/0	Chargeur De Batteries 12V 1A - CE Plugg	CE Plugg		
26	1	325605003/0	Bouton D'Entrée Inverse			
27	2	325256250/0	Embout			
28	1	182040174/0	Cablages			
51	1	118736111/0	Relais D'Allumage	To 31-August-2015;Not for KAWASAKI Engines		
51	1	118736112/0	Solenoid	From 01-September-2015;Not for KAWASAKI Engines		
52	2	112360352/0	Ecrou	To 31-August-2015		
52	2	112361005/0	Ecrou	From 01-September-2015		
53	1	125065002/0	Cable			
54	1	118564864/1	Capuchon			
55	1	112790781/0	Vis			
56	2	112154510/0	Ecrou			



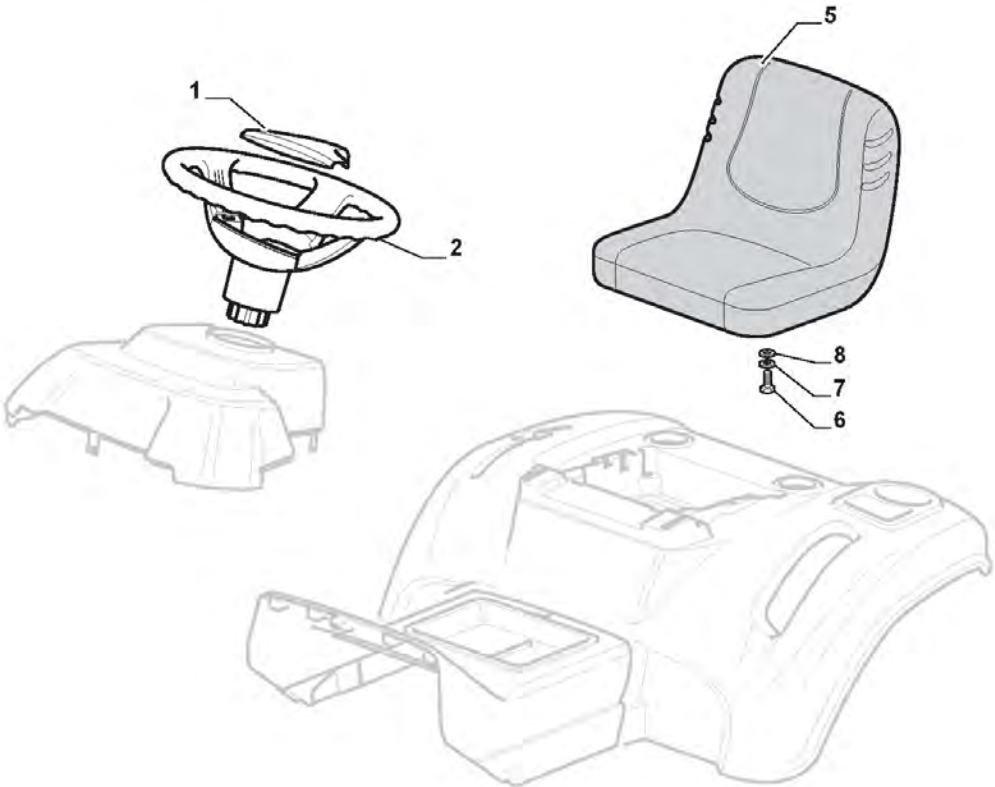
# Etiquettes

Réf. N°	Q.té :	Code article	Description	Articles	De	Jusqu'à
1	1	114361553/1	Étiquette D'Avertissement			
3	1	114363699/0	Etiquette			
4	1	114361438/0	Etiquette			
5	1	114363701/0	Etiquette	To 31-August-2014		
5	1	114366142/0	Etikett	From 01-September-2014		
6	1	114363700/0	Etiquette			
8	1	114356699/1	Etiquette De Plaque De Danger			



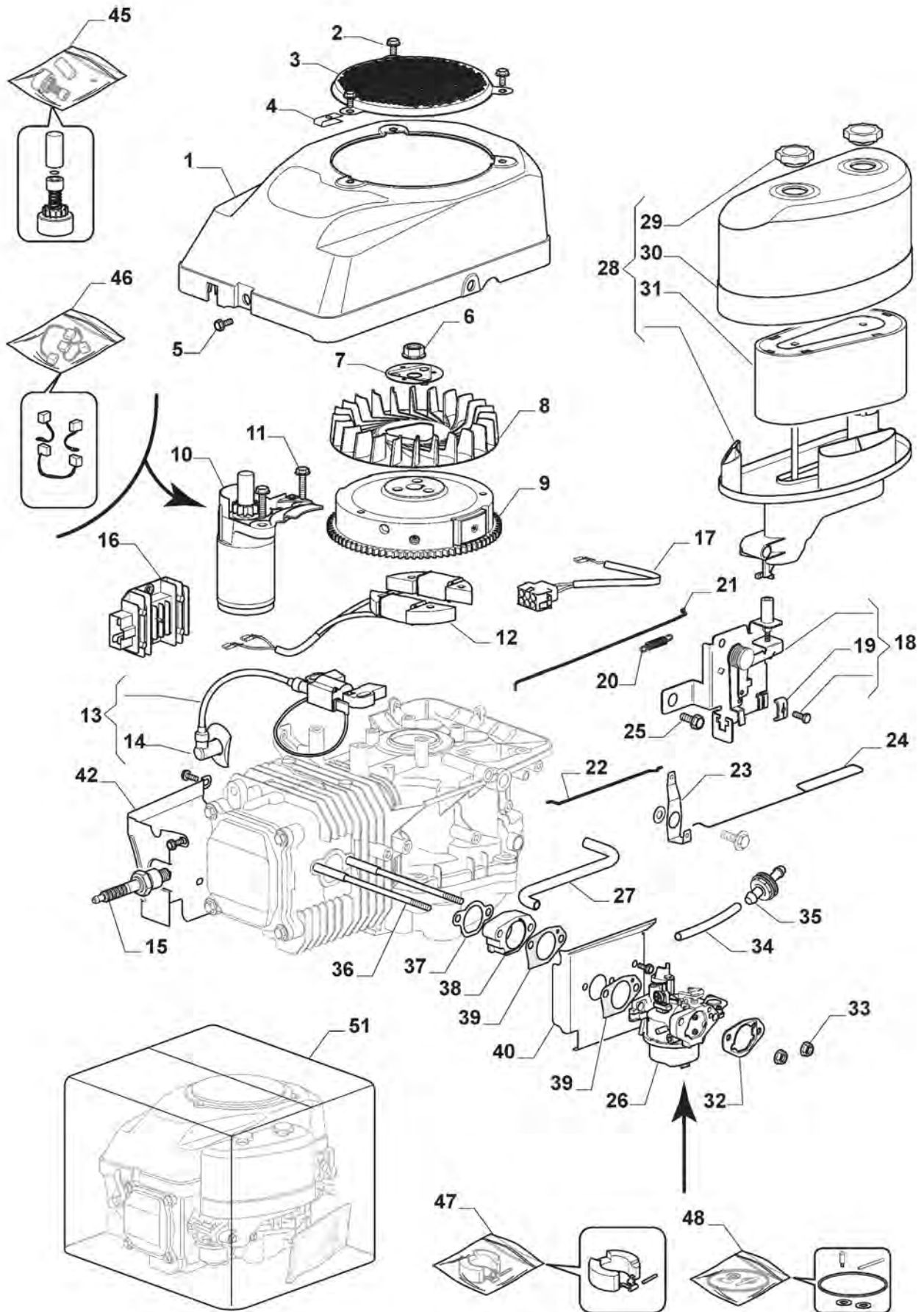
## Accessoires Sur Demande

Réf. N°	Q.té :	Code article	Description	Articles	De	Jusqu'à
1	1	382869038/0	Protection Silencieux			
2	4	125943008/0	Vis			
3	2	125160074/0	Entretoise	To S/N 19JA3RON001409		
3	2	125160108/0	Entretoise	From S/N 19EA3RON000756		
5	2	382650211/0	Renforcement			
6	1	382033119/0	Tow Bar Assy			
7	2	112155000/0	Ecrou			
8	1	125510021/1	Pivot			
9	1	124487999/0	Goupille			
10	1	122170600/0	Entretoise			
11	1	112792099/0	Vis			
12	3	112292102/0	Ecrou			
13	2	327546015/2	Plaquette			
14	1	112791400/0	Vis			
15	1	325140104/0	Deflecteur	To 31-August-2013		
15	1	325140104/1	Deflecteur	From 01-September-2013		
16	1	325394021/0	Guidon			
17	1	125510077/0	Pivot			
18	1	125430245/0	Ressort			
19	1	325547320/0	Plaque			
20	1	112735403/0	Vis			
21	1	325280000/1	Branche			
22	1	125840011/1	Tirant			
23	2	125253004/0	Crochet Fixage Kit Mulching			
24	2	118566112/0	Bouchon Tube Guidon			
25	1	325600093/0	Protection Sortie	To 31-August-2017		
25	1	325600093/1	Protection Sortie	From 01-September-2017		
26	1	382869044/0	Support			
27	2	125510022/1	Pivot			
28	2	124487998/0	Goupille			
29	2	112689515/0	Vis			
30	2	112154510/0	Ecrou			
31	1	124487999/0	Goupille			
32	1	382180028/0	Dotation Visserie			



# Siege & Volant

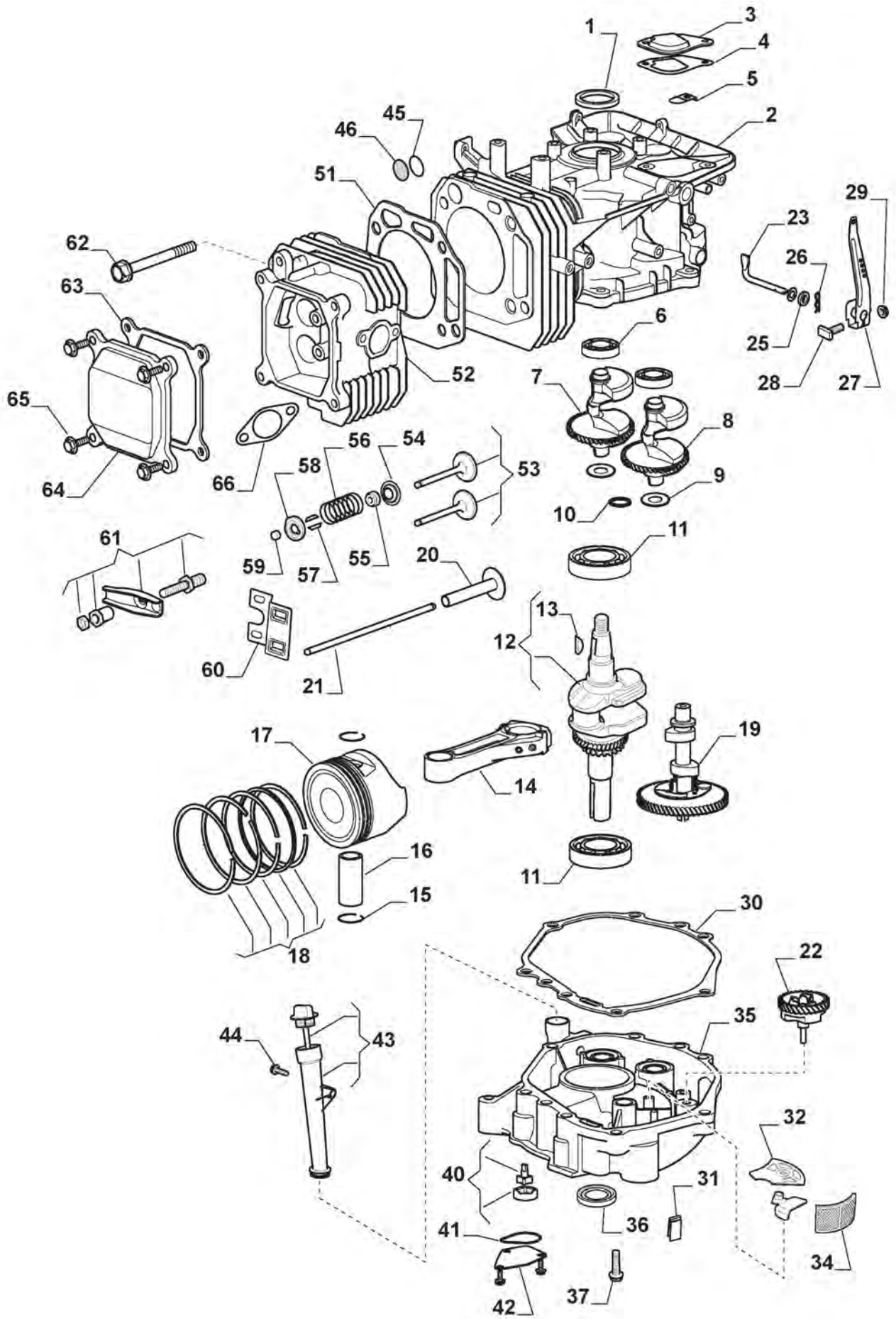
Réf. N°	Q.té :	Code article	Description	Articles	De	Jusqu'à
1	1	325580503/0	Plaque Volant			
2	1	325961219/0	Volant			
5	1	125722463/0	Siege	To 31-August-2017		
5	1	125722483/0	Siege	From 01-September-2017		
6	4	112792611/0	Vis			
7	4	112540260/0	Rondelle			
8	4	112523060/0	Rondelle			





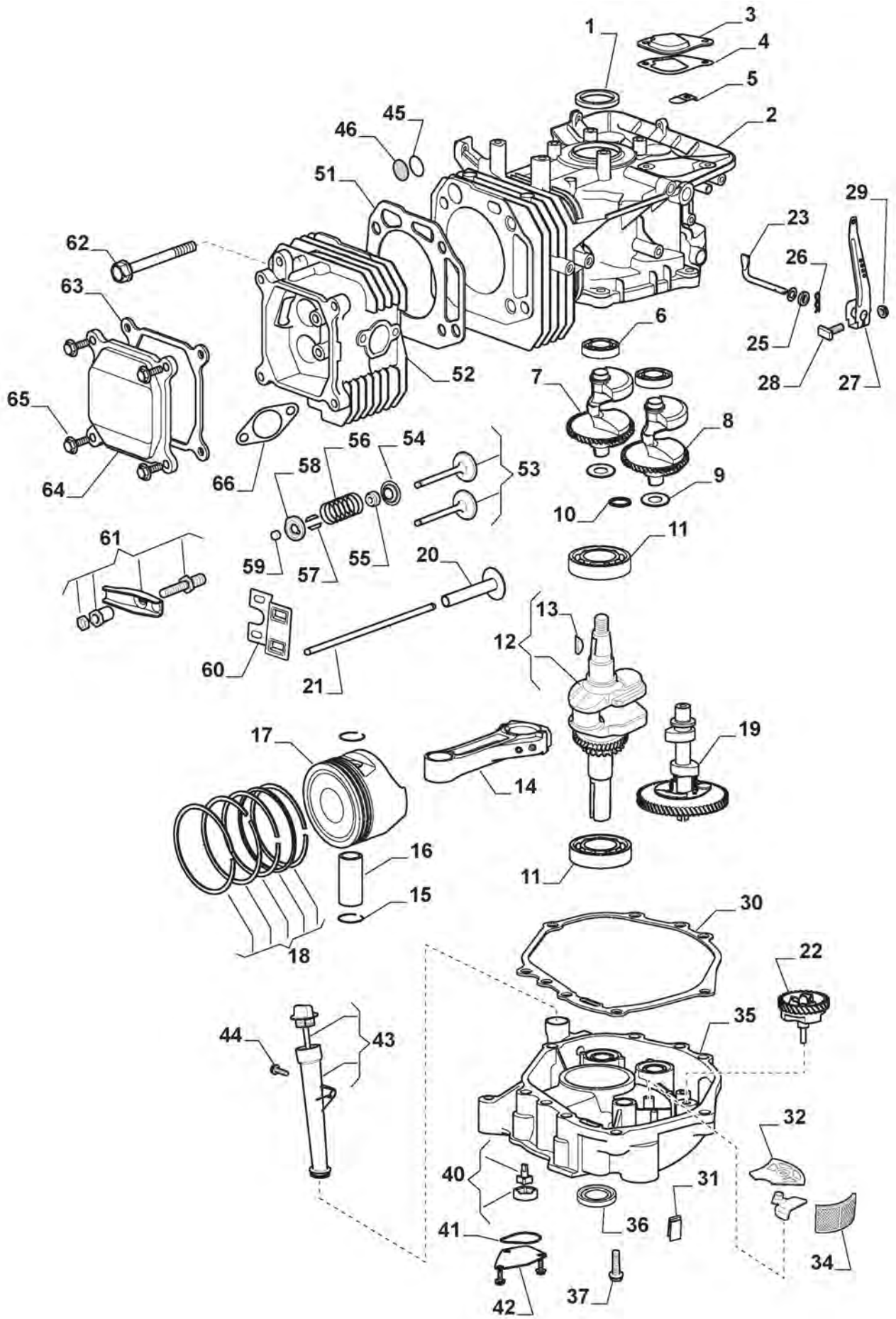
## Moteur - Carburateur, Ens. Filtre A Air

Réf. N°	Q.té :	Code article	Description	Articles	De	Jusqu'à
1	1	118551261/0	Ens. Capot			
2	3	112790500/0	Vis			
3	1	118550203/0	Couvercle Ventilateur			
4	3	118551280/0	Plaque			
5	4	112791213/1	Vis			
6	1	118550237/0	Ecrou			
7	1	118550236/0	Coupe Démarreur			
8	1	118550235/1	Ventilateur			
9	1	118550234/2	Ens. Volant			
10	1	118550214/0	Ens. Moteur De Demarreur			
11	2	112691100/0	Vis			
12	1	118550210/1	Ens. Bobine, Chargeur			
13	1	118550209/1	Bobine Électronique			
14	1	118550448/0	Borne Fil Bougie			
15	1	9400-0244-00	Bougie			
16	1	118550208/0	Rectfier			
17	1	118550207/1	Cablagers Rectifier			
18	1	118550331/1	Ens. Comand Du Accelérateur			
19	1	118550212/0	Boucle Cable			
20	1	118550213/0	Ressort			
21	1	118551219/0	Lien De Gouverneur			
22	1	118551218/0	Tige Choke			
23	1	118551267/0	Etrier			
24	1	118551221/0	Tringle			
25	2	118551277/0	Boulon			
26	1	118550375/1	Carburateur			
27	1	118550225/1	Tuyau Soupirlail			
28	1	118550202/2	Ens. Filtre A Air			
29	2	118550201/0	Poignée			
30	1	118550200/0	Couvercle Filtre Air			
31	1	118550199/0	Filtre À Air			
32	1	118550762/0	Garnitures Du Filtre À Air			
33	2	112292102/0	Ecrou			
34	1	118550432/0	Conduite Combustible			
35	1	118550354/1	Filtre Carburant			
36	2	118551279/0	Prisonnier			
37	1	118551263/0	Joint Collecteur-Cylindre			
38	1	118551265/0	Collecteur D'Aspiration			
39	2	118551262/0	Garniture Carburateur			
40	1	118551259/0	Protection			
42	1	118551260/0	Protection			
45	1	118550365/1	Kit Réparation			
46	1	118550332/1	Bross			
47	1	118550440/0	Kit Réparation Carbureteur			
48	1	118550442/0	Kit Garnitures Carburateur			
51	1	118550451/0	Moteur Complete			



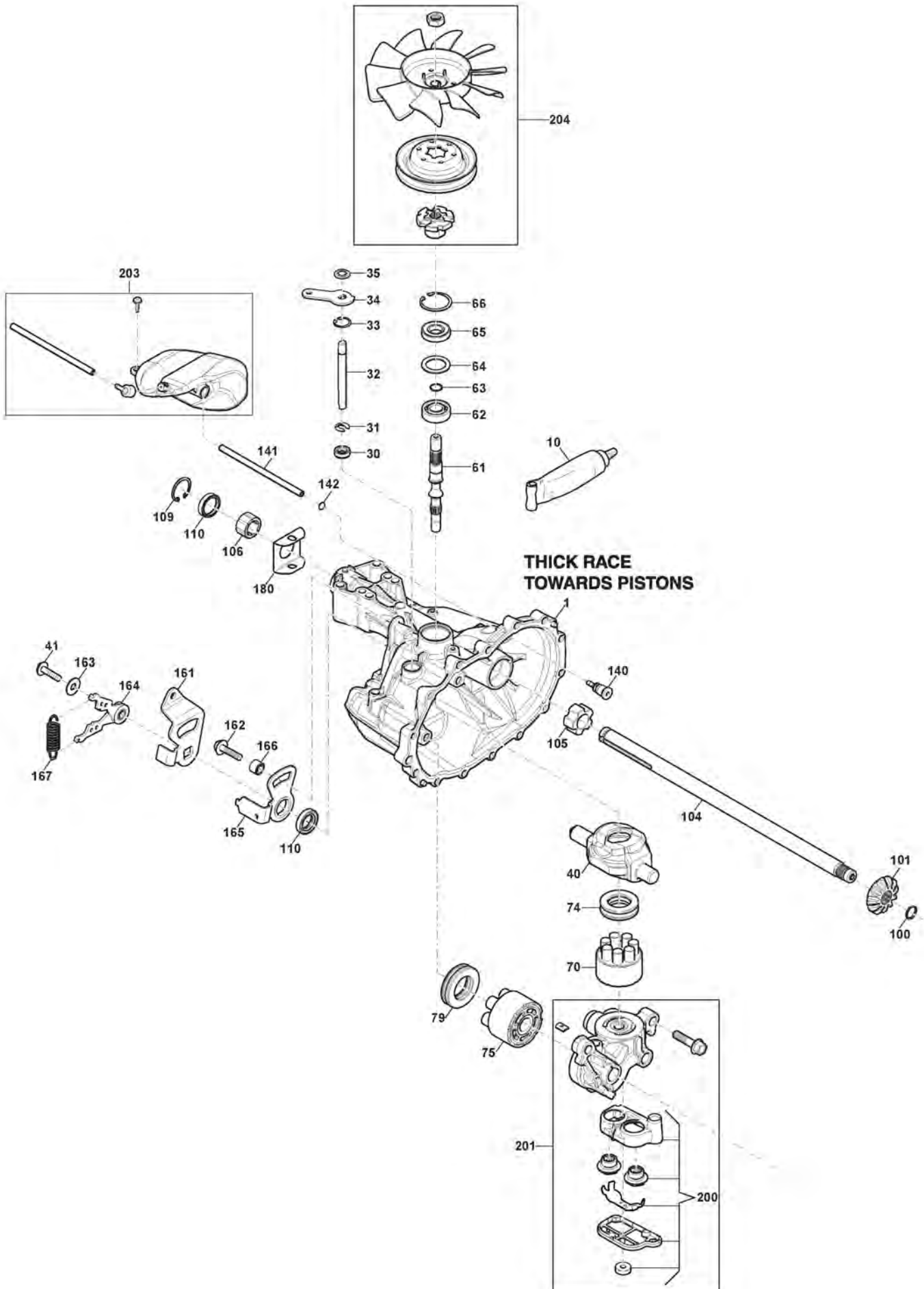
## Moteur - Piston, Arbre Moteur

Ref. N°	Q.té :	Code article	Description	Articles	De	Jusqu'à
1	1	118550443/0	Anneau De Tenue			
2	1	118551224/0	Carter Moteur			
3	1	118551227/0	Couvercle			
4	1	118551229/0	Garniture			
5	1	118550303/0	Plaquette			
6	2	118551284/0	Roulement			
7	1	118551242/0	Contrepoids			
8	1	118551243/0	Contrepoids			
9	2	118551282/0	Rondelle			
10	1	118551286/0	O Ring			
11	2	118550227/0	Roulement À Billes			
12	1	118550232/0	Arbre Moteur			
13	1	118550288/0	Clé de volant			
14	1	118550231/1	Ens. Bielle			
15	2	118551283/0	Circlip Pointeau			
16	1	118551241/0	Pointeau Piston			
17	1	118551214/0	Piston			
18	1	118550447/0	Ens. Bagues Élastiques			
19	1	118550243/0	Arbre À Cames			
20	2	118551252/0	Poussoir De Valve			
21	2	118550242/1	Ens. Tige			
22	1	118550347/0	Ens. Régulateur De Vitesse			
23	1	118551268/0	Tringle Commande De Puissance De Carburateur			
25	1	118551285/0	Anneau De Tenue			
26	1	118550856/0	Goupille			
27	1	118551220/0	Ens. Gouverneur Levier			
28	1	118550805/0	Vis			
29	1	118550806/0	Ecrou			
30	1	118550355/1	Garniture Carter			
31	1	118551258/0	Caoutchouc			
32	1	118551257/0	Couvercle			
34	1	118551256/0	Tamis À Huile			
35	1	118551207/0	Carter Moteur			
36	1	118550443/0	Anneau De Tenue			
37	4	112691115/0	Vis			
40	1	118550224/1	Pompe À Huile			
41	1	118551287/0	Garniture			
42	1	118550223/0	Couvercle Pompe À Huile			
43	1	118550205/2	Ensemble Tuyau Niveau Huile			
44	1	112674701/0	Vis			
45	1	118551230/0	Vanne Évent			
46	1	118551228/0	Couvercle			
51	1	118551232/0	Garniture			
52	1	118551360/0	Culasse Du Cylindre			
53	1	118551289/0	Ens. Soupape Aspiration + Évacuation			
54	2	118551245/0	Tournette			
55	2	118551248/0	Garniture			



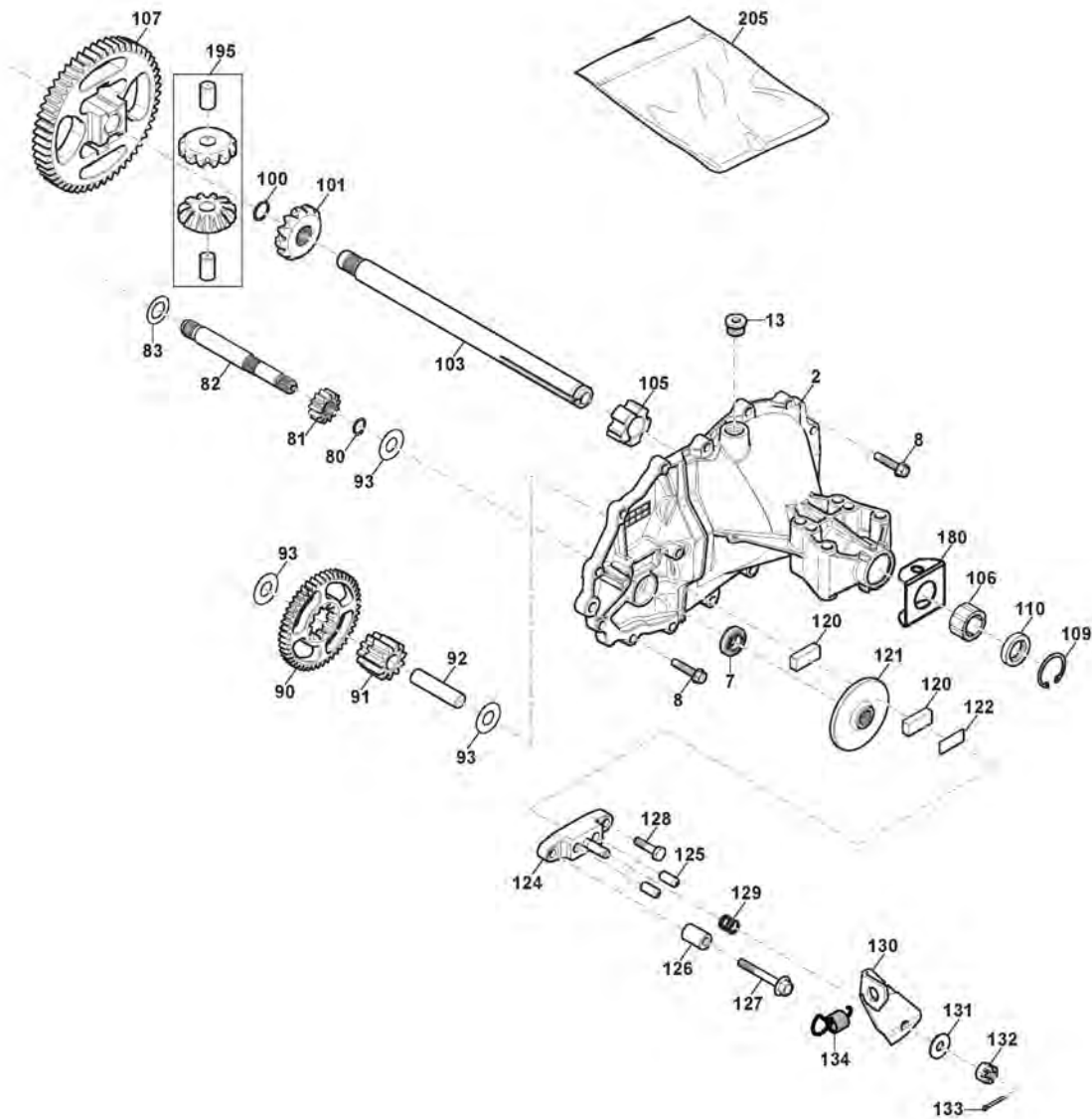
# Moteur - Piston, Arbre Moteur

Réf. N°	Q.té :	Code article	Description	Articles	De	Jusqu'à
56	2	118550529/0	Ressort Soupape			
57	4	118551247/0	Ventil keeper			
58	2	118551246/0	Butée			
59	2	118551244/0	Ventil cap			
60	1	118551254/0	Plaquette			
61	1	118551249/0	Ens. Culbuteur			
62	4	118551278/0	Vis			
63	1	118551238/0	Garniture			
64	1	118550206/0	Cache-Soupapes			
65	4	118551276/0	Boulon			
66	1	118551272/0	Garniture Silencieux			



# Transmission

Réf. N°	Q.té :	Code article	Description	Articles	De	Jusqu'à
1	1	118870120/0	Carter Principal			
10	1	1139-2022-01	Sealant			
30	1	118870079/0	Garniture			
31	1	118870081/0	Anneau Ressort			
32	1	1139-2203-01	Tige			
33	1	118870080/0	Anneau Ressort			
34	1	118870091/0	Levier			
35	1	118870082/0	Anneau Ressort			
40	1	118870090/0	Plateau Oscillant			
41	1	118870083/0	Vis			
61	1	118870092/0	Arbre			
62	1	1139-2001-01	Roulement À Billes			
63	1	1139-2003-01	Wire Retaining Ring			
64	1	1139-2004-01	Entretoise			
65	1	1139-2000-01	Lip Seal			
66	1	1139-2002-01	Anneau Ressort			
70	1	118870125/0	Ens. de bloc de pompe			
74	1	118870093/0	Roulement			
75	1	1139-2063-01	Cylinder Block			
79	1	1139-2021-01	Thrust Bearing			
100	1	118870072/0	Anneau Ressort			
101	1	118870063/0	Engrenage			
104	1	118870113/0	Arbre			
105	1	118870086/0	Douille			
106	1	118870085/0	Douille			
109	1	118870084/0	Anneau Ressort			
110	2	1139-2204-01	Arbre			
140	1	1139-2038-01	Fitting			
141	1	118870102/0	Tube			
142	1	1139-2075-01	O-Ring			
161	1	118870103/0	Levier			
162	1	1139-2026-01	Boulon			
163	1	1139-2011-01	Rondelle			
164	1	118870107/0	Ens. Levier			
165	1	118870108/0	Levier			
166	1	118870104/0	Douille			
167	1	118870089/0	Ressort			
180	1	118870112/0	Plaquette			
200	1	118870123/0	Kit-Filtre			
201	1	118870127/0	Kit-Section centre			
203	1	118870122/0	Kit-Vase d'expansion			
204	1	1139-2201-01	Kit, Ventilateur Poulie			





## Transmission

Réf. N°	Q.té :	Code article	Description	Articles	De	Jusqu'à
2	1	118870121/0	Carter Latérale			
7	1	118870111/0	Garniture			
8	14	1139-2042-01	Vis			
13	1	1139-2010-01	Plug			
80	1	118870070/0	Anneau Ressort			
81	1	118870094/0	Engrenage			
82	1	118870095/0	Arbre			
83	1	118870096/0	Rondelle			
90	1	118870097/0	Engrenage			
91	1	118870098/0	Engrenage			
92	1	118870099/0	Pivot			
93	3	1139-2016-01	Rondelle			
100	1	118870072/0	Anneau Ressort			
101	1	118870063/0	Engrenage			
103	1	118870114/0	Arbre			
105	1	118870086/0	Douille			
106	1	118870085/0	Douille			
107	1	118870100/0	Engrenage			
109	1	118870084/0	Anneau Ressort			
110	1	1139-2204-01	Arbre			
120	2	118870066/0	Tapis de frein			
121	1	118870101/0	Frein			
122	1	118870067/0	Support, Tapis de frein			
124	1	118870119/0	Etrier de Frein			
125	2	118870069/0	Pivot			
126	1	118870062/0	Entretoise			
127	1	118870077/0	Vis			
128	1	118870071/0	Boulon			
129	1	118870076/0	Ressort			
130	1	118870088/0	Levier De Frein			
131	1	1139-2011-01	Rondelle			
132	1	118870068/0	Ecrou			
133	1	118870065/0	Pivot			
134	1	118870078/0	Ressort			
180	1	118870112/0	Plaquette			
195	1	118870126/0	Kit-Engrenage + Pivot			
205	1	118870124/0	Kit-Garniture			