

ST. S.P.A.

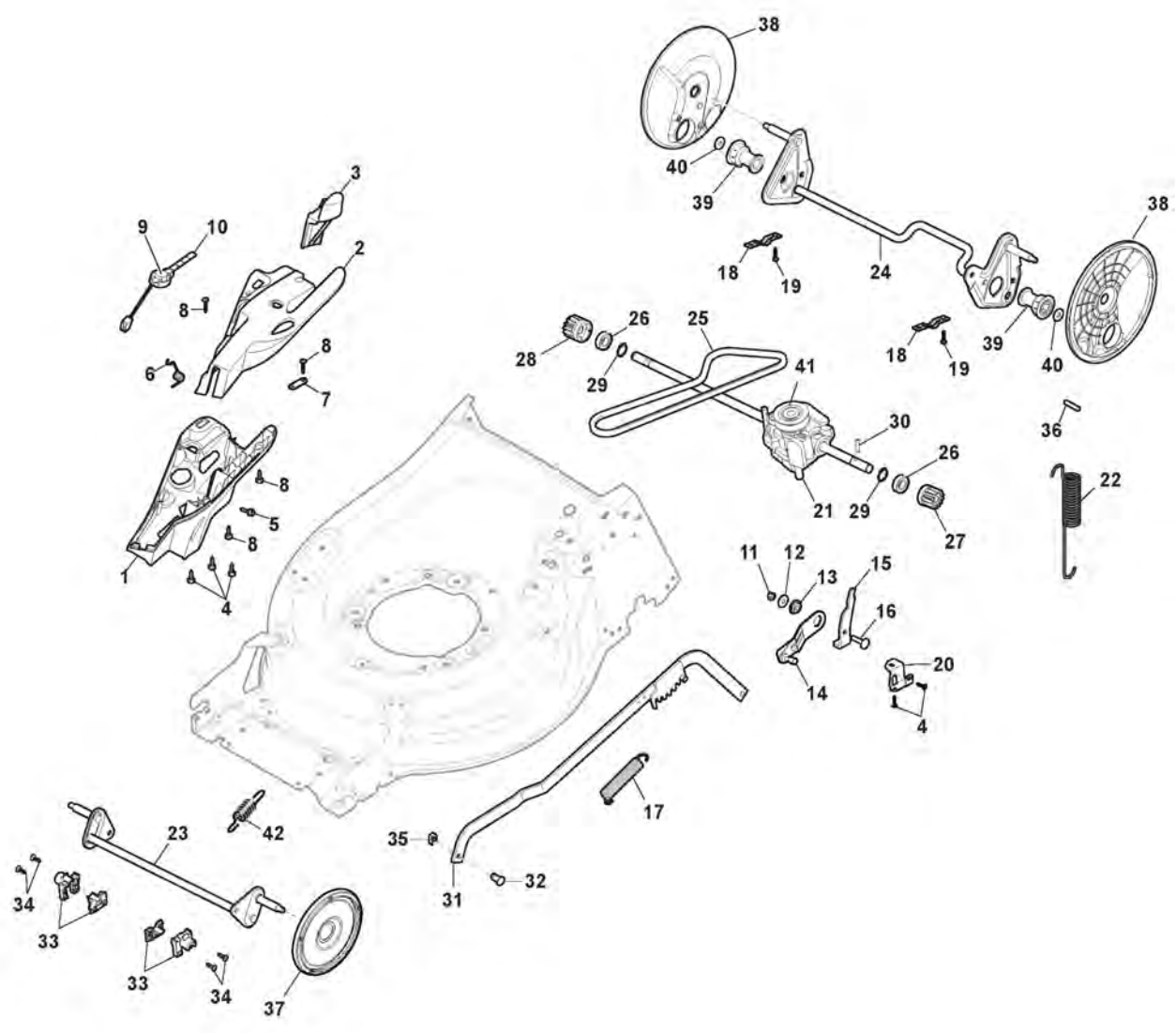
SG 50TXE (2019)

294502548/UNV

Spare parts list Reservdelar Repuestos Ersatzteile Pièces détachées Reserve onderdelen Catalogo ricambi

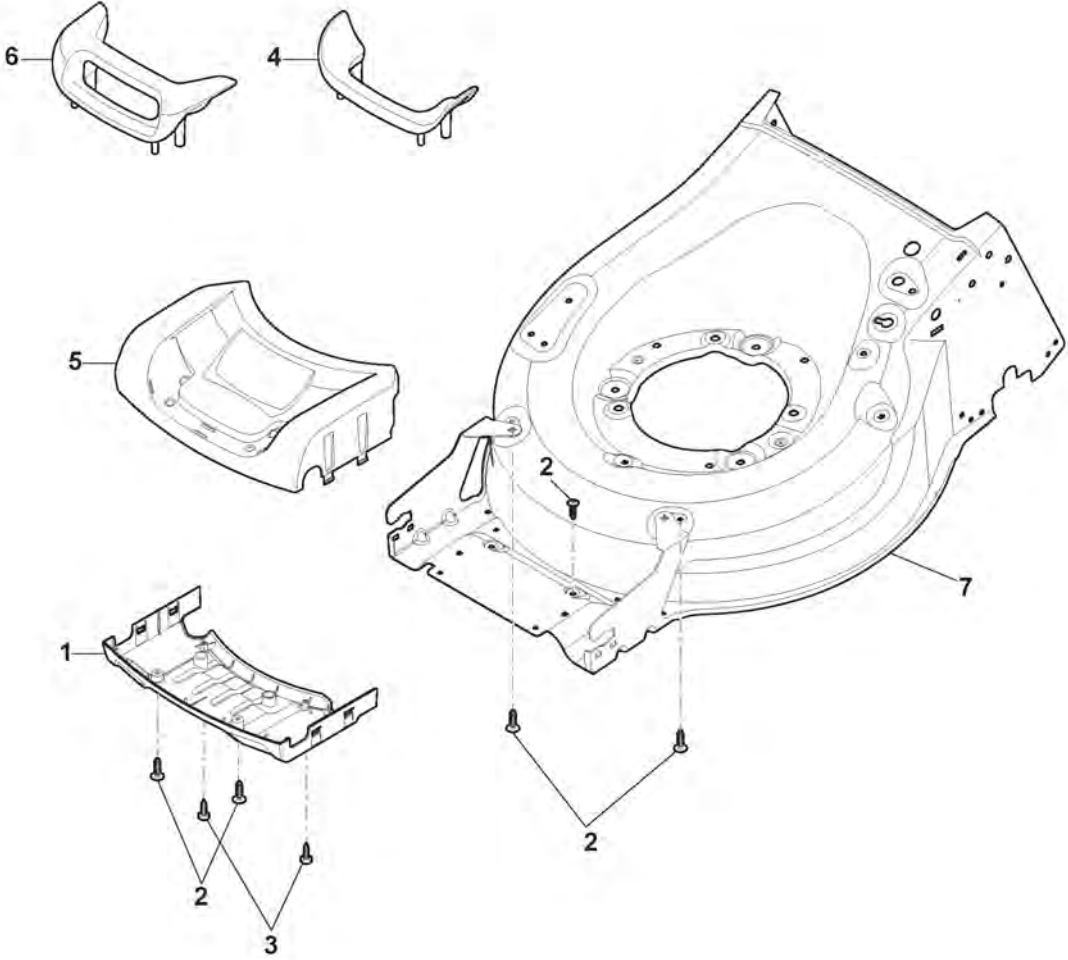
- Use ST. S.p.A. Genuine Spare Parts specified in the parts list for repair and/or replacement.
- The contents described in the parts list may change due to improvement.
- The drawings of the spare parts are only indicative And might Not represent the part in question exactly.
- The indications "right" - "left" - "front" - "rear" refer to the position of the operator when using the machine.
- When placing orders of parts for repair And/Or replacement, make sure that the illustrated parts list Is the one applying to the machine's year of manufacture, as shown on the identification plate attached to the machine.

All rights reserved. No part Of this material may be reproduced Or transmitted, in any form Or by any means, electronic Or mechanical, including photocopying, recording Or by any information storage And retrieval system, without permission in writing from ST. S.p.A.



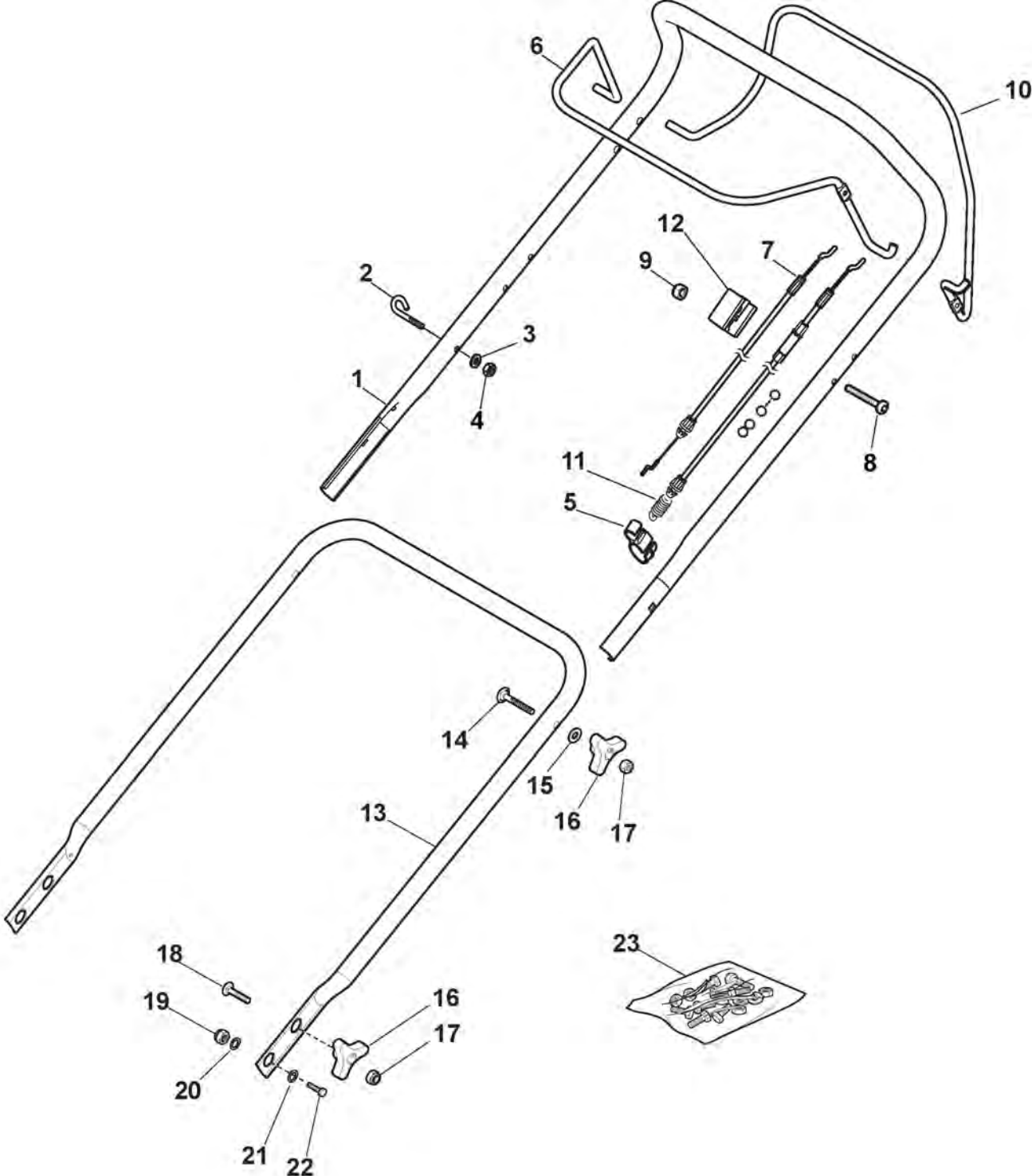
Châssis Et Reglage Hauter Decoupe

| Réf. N° | Q.té : | Code article | Description | Articles | De | Jusqu'à |
|---------|--------|--------------|-------------------------|--|----|---------|
| 1 | 1 | 322055262/0 | Couvercle Inferieur | | | |
| 2 | 1 | 322055263/0 | Couvercle supérieur | | | |
| 3 | 1 | 322602026/0 | Bouton | | | |
| 4 | 5 | 112728699/0 | Vis | | | |
| 5 | 1 | 125943004/0 | Vis | | | |
| 6 | 1 | 122450477/0 | Ressort | | | |
| 7 | 1 | 322981471/1 | Plaquette | | | |
| 8 | 5 | 112728697/0 | Vis | | | |
| 9 | 1 | 322602027/0 | Lentille | | | |
| 10 | 1 | 322602028/0 | Télespectateur | | | |
| 11 | 1 | 112154510/0 | Ecrou | | | |
| 12 | 1 | 112523040/0 | Rondelle | | | |
| 13 | 1 | 122517873/0 | Pivot | | | |
| 14 | 1 | 381003475/0 | Levier, Reglage Hauteur | To 31-August-2015 | | |
| 14 | 1 | 381003475/1 | Levier, Reglage Hauteur | From 01-September-2015 To 31-August-2017 | | |
| 14 | 1 | 381003475/2 | Levier, Reglage Hauteur | From 01-September-2017 | | |
| 15 | 1 | 322778475/0 | Etrier | | | |
| 16 | 1 | 112815270/0 | Vis | | | |
| 17 | 1 | 122450480/0 | Ressort | | | |
| 18 | 2 | 322545152/0 | Plaquette | | | |
| 19 | 4 | 112728697/0 | Vis | | | |
| 20 | 1 | 322778473/0 | Etrier | To 31-August-2018 | | |
| 20 | 1 | 322778473/1 | Etrier | From 01-September-2018 | | |
| 21 | 1 | 181003114/0 | Groupe Traction | | | |
| 22 | 1 | 122450478/0 | Ressort | | | |
| 23 | 1 | 381302881/0 | Axe Roues Avant | | | |
| 24 | 1 | 381302891/0 | Axe Roues Arriere | | | |
| 25 | 1 | 135063900/0 | Courroie | | | |
| 26 | 2 | 119216035/0 | Roulement | | | |
| 27 | 1 | 122570110/1 | Pignon Droit | | | |
| 28 | 1 | 122570120/1 | Pignon Gauche | | | |
| 29 | 4 | 112608600/0 | Seeger | | | |
| 30 | 2 | 122753000/0 | Goupille | | | |
| 31 | 1 | 381002047/0 | Tige Commande de Roues | | | |
| 32 | 2 | 122519820/0 | Pivot | | | |
| 33 | 2 | 322785305/0 | Support | To 31-August-2015 | | |
| 33 | 2 | 322785305/1 | Support | From 01-September-2015 | | |
| 34 | 4 | 112728697/0 | Vis | | | |
| 35 | 2 | 112436051/0 | Plaquette | | | |
| 36 | 1 | 112645708/0 | Pivot | | | |
| 37 | 2 | 322600247/0 | Protection Roue | | | |
| 38 | 2 | 322600205/1 | Protection Roue | | | |
| 39 | 2 | 322042068/0 | Douille | | | |
| 40 | 2 | 112521371/0 | Rondelle | | | |
| 41 | 1 | 122601909/0 | Poulie | | | |
| 42 | 1 | 122450481/0 | Spring Front Axle | | | |



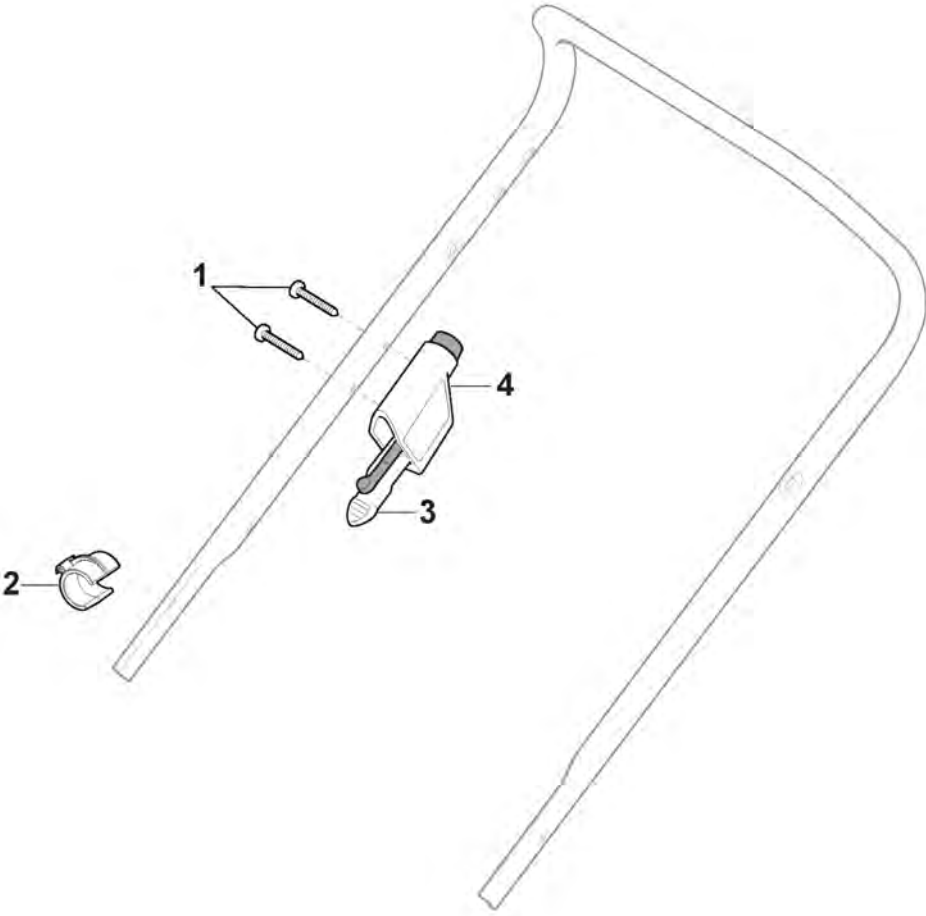
Mesque

| Réf. N° | Q.té : | Code article | Description | Articles | De | Jusqu'à |
|---------|--------|--------------|-----------------|--|----|---------|
| 1 | 1 | 322500111/0 | Admission d'air | | | |
| 2 | 6 | 112728697/0 | Vis | | | |
| 3 | 2 | 112728699/0 | Vis | | | |
| 4 | 1 | 322055524/0 | Renfort | To 31-december-2018 | | |
| 4 | 1 | 322055524/1 | Renfort | From 01-January-2019 | | |
| 5 | 1 | 322226215/0 | Mesque, Rouge | Light Red | | |
| 5 | 1 | 322226229/0 | Mesque, Noir | Black | | |
| 5 | 1 | 322226243/0 | Mesque, Rouge | Dark Red | | |
| 6 | 1 | 322393742/0 | Poignée | To 31-december-2018 | | |
| 6 | 1 | 322393742/1 | Poignée | From 01-January-2019 | | |
| 7 | 1 | 381004776/0 | Châssis Rouge | To 31-August-2016 | | |
| 7 | 1 | 381004792/0 | Châssis Rouge | From 01-September-2016 To 31-August-2018 | | |
| 7 | 1 | 381004853/0 | Châssis Gris | From 01-September-2018 | | |



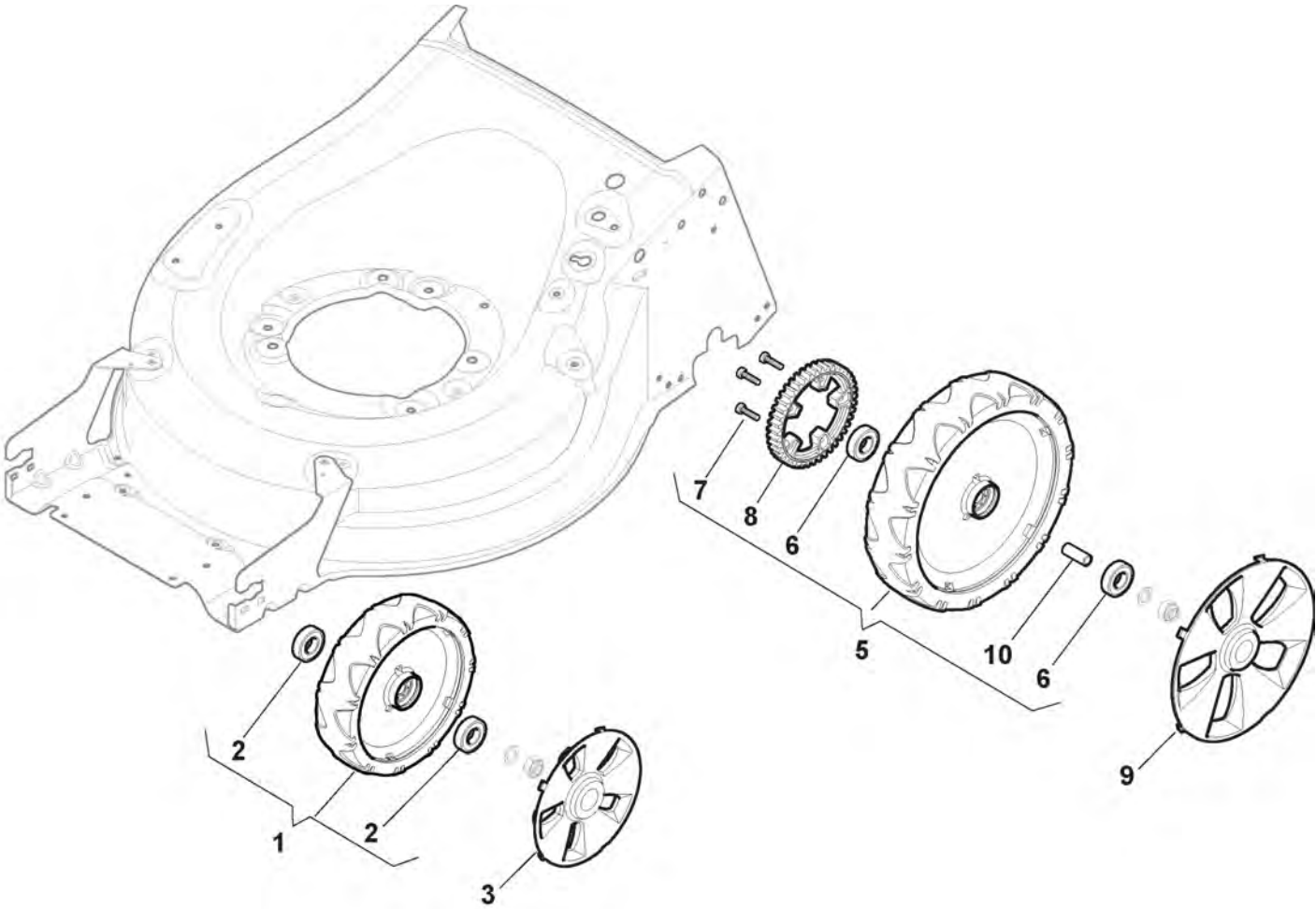
Mancheron, Partie Superieure avec Poignée

| Réf. N° | Q.té : | Code article | Description | Articles | De | Jusqu'à |
|---------|--------|--------------|------------------------------|--|----|---------|
| 1 | 1 | 381006787/0 | Mancheron, Partie Superieure | Black without Sponge;To 31-August-2017 | | |
| 1 | 1 | 381006787/1 | Mancheron, Partie Superieure | Black without Sponge;From 01-September-2017 | | |
| 2 | 1 | 122430313/0 | Ressort De Guide | | | |
| 3 | 1 | 112521330/0 | Rondelle | | | |
| 4 | 1 | 112154510/0 | Ecrou | | | |
| 5 | 1 | 118390020/0 | Fixation Cable | | | |
| 6 | 1 | 181003363/1 | Levier Frein Moteur Noir | Black | | |
| 6 | 1 | 381003376/0 | Levier Frein Moteur Rouge | Red | | |
| 7 | 1 | 181030053/0 | Cable Frein Moteur | | | |
| 8 | 1 | 112727783/0 | Vis | | | |
| 9 | 1 | 112154510/0 | Ecrou | | | |
| 10 | 1 | 181003364/0 | Levier Traction | Black | | |
| 11 | 1 | 381030104/0 | Câble Embrayage | | | |
| 12 | 1 | 322551640/0 | Plaquette | | | |
| 13 | 1 | 381006785/0 | Mancheron, Partie Inferieure | Black | | |
| 14 | 2 | 112819110/0 | Vis | | | |
| 15 | 2 | 122671651/0 | Rondelle | | | |
| 16 | 2 | 122399900/0 | Poignée | | | |
| 17 | 2 | 112293200/0 | Ecrou | | | |
| 18 | 2 | 112818900/0 | Vis | | | |
| 19 | 2 | 112155000/0 | Ecrou | | | |
| 20 | 2 | 112521350/0 | Rondelle | | | |
| 21 | 2 | 112369500/0 | Disque Elastique | | | |
| 22 | 2 | 112760605/0 | Vis | | | |
| 23 | 1 | 381008730/0 | Dotation | Black | | |



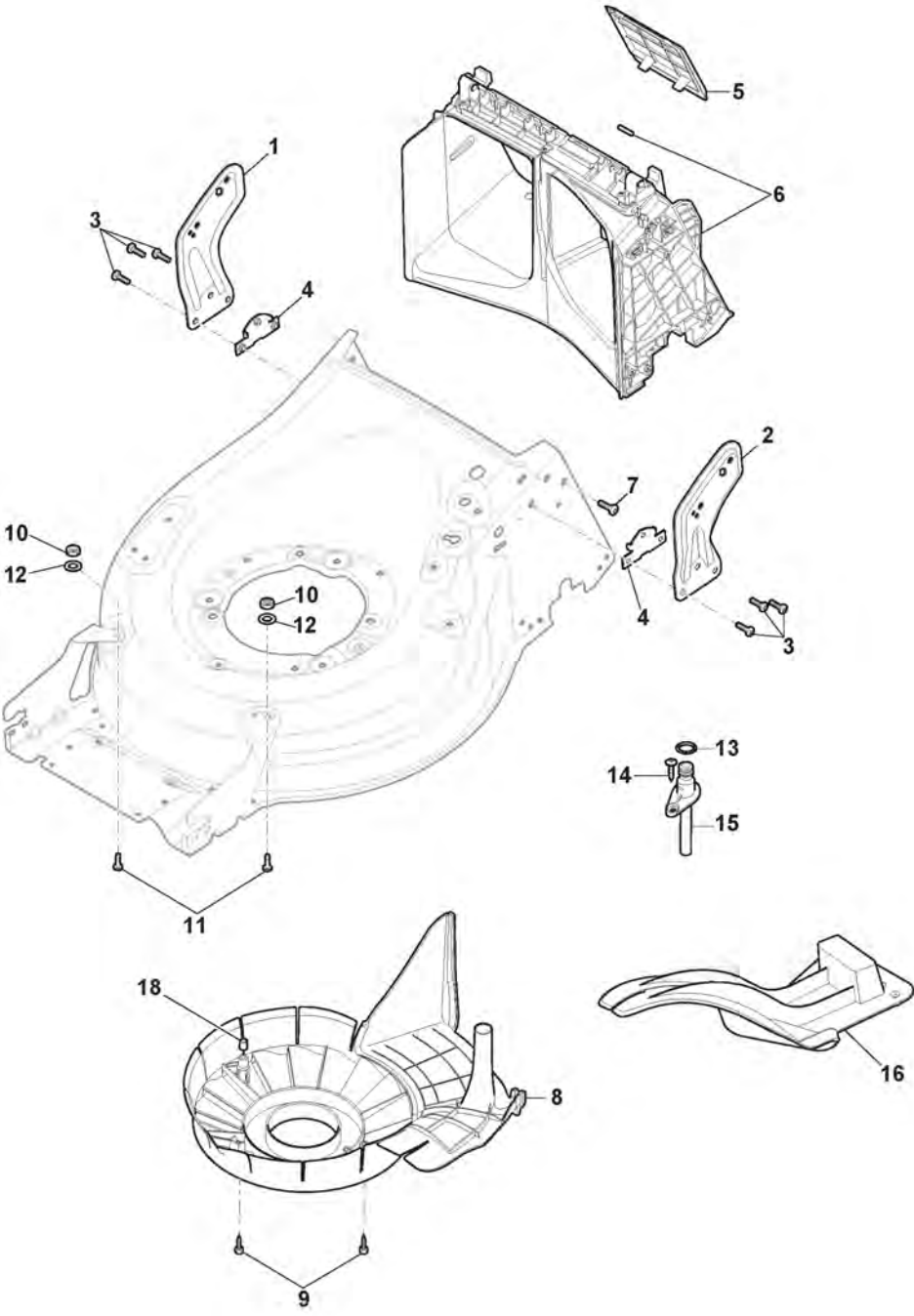
Starter Elektrostarter

| Réf. N° | Q.té : | Code article | Description | Articles | De | Jusqu'à |
|---------|--------|--------------|--------------------------------|-----------------------|----|---------|
| 1 | 1 | 112728702/0 | Vis | | | |
| 2 | 1 | 133320022/0 | Fastpoint Clamp | | | |
| 3 | 1 | 322076570/1 | Clé de sécurité de la batterie | | | |
| 4 | 1 | 118810864/0 | Interrupteur De Instart | To S/N 19EA2WBH017998 | | |
| 4 | 1 | 381600401/1 | Interrupteur De Instart | | | |



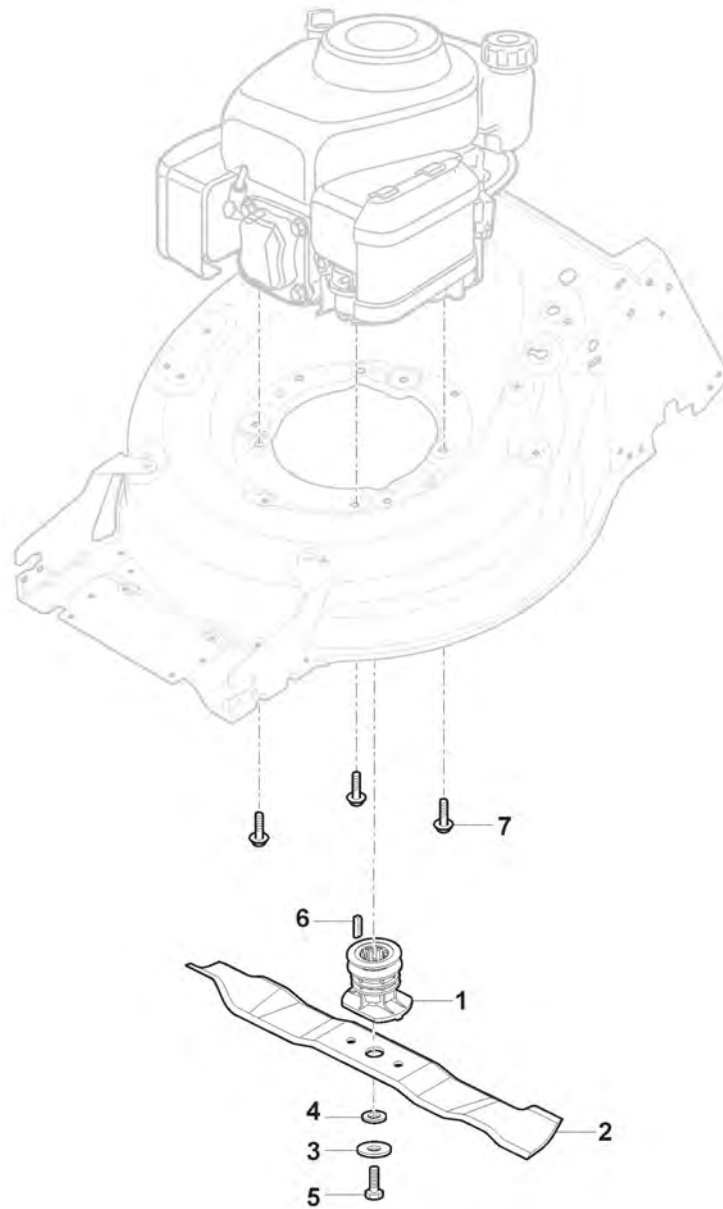
Roues et Couver-Moyeu

| Réf. N° | Q.té : | Code article | Description | Articles | De | Jusqu'à |
|---------|--------|--------------|-------------------|----------|----|---------|
| 1 | 2 | 381007455/1 | Roue - Short Hub | | | |
| 2 | 4 | 119216035/0 | Roulement | | | |
| 3 | 2 | 322110636/0 | Couvre-Moyeu Gris | | | |
| 5 | 2 | 381007467/1 | Roue | | | |
| 6 | 4 | 119216035/0 | Roulement | | | |
| 7 | 6 | 112728706/0 | Vis | | | |
| 8 | 2 | 322120117/0 | Couronne | | | |
| 9 | 2 | 322110637/0 | Couvre-Moyeu Gris | | | |
| 10 | 2 | 122170848/0 | Entretoise | | | |



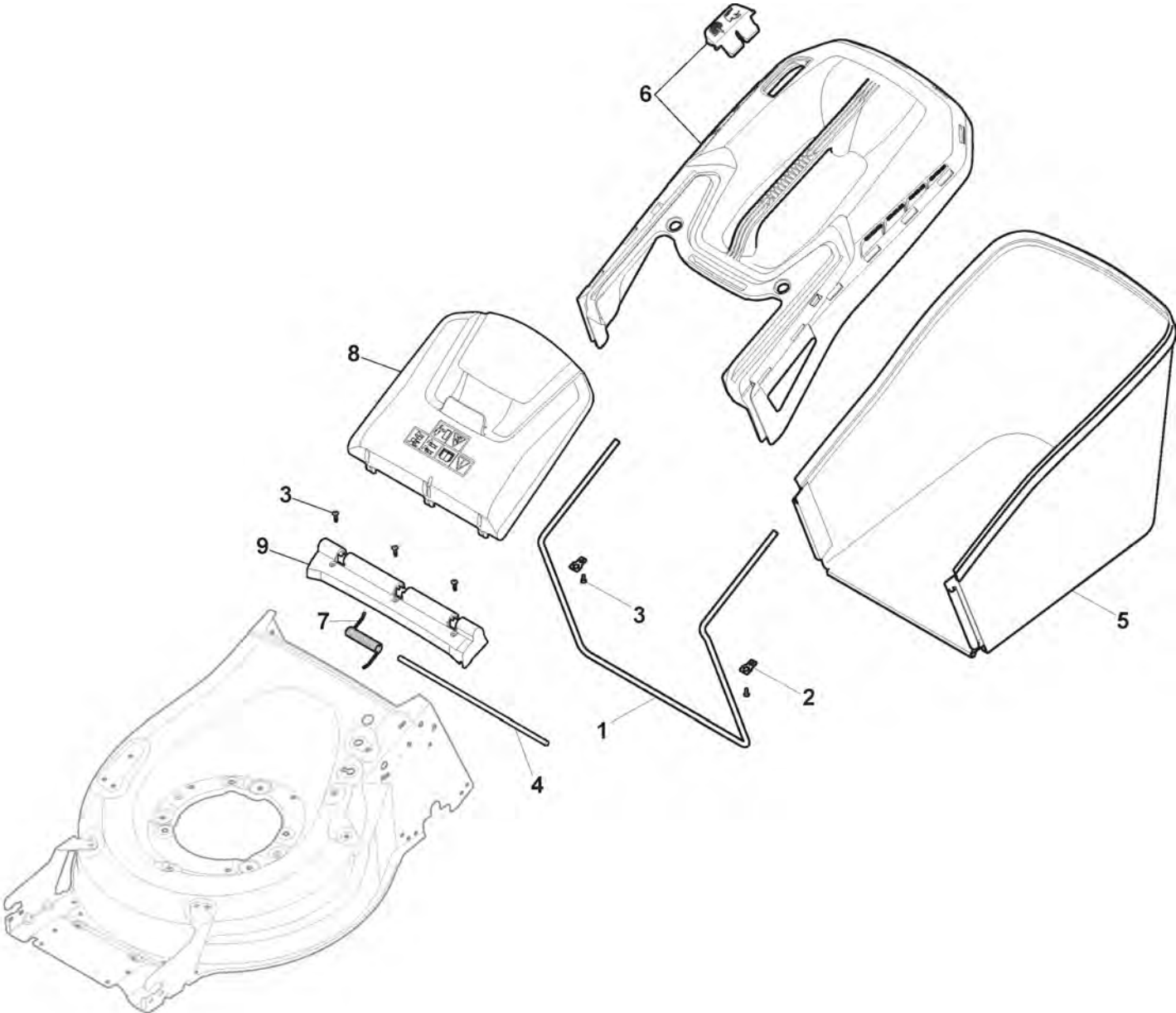
Protection Courroie

| Réf. N° | Q.té : | Code article | Description | Articles | De | Jusqu'à |
|---------|--------|--------------|----------------------|--|----|---------|
| 1 | 1 | 381005195/0 | Etrier Droit | Black;To 31-August-2017 | | |
| 1 | 1 | 381005195/1 | Etrier Droit | Black;From 01-September-2017 To 31-August-2018 | | |
| 1 | 1 | 381005195/2 | Etrier Droit | Black;From 01-September-2018 | | |
| 2 | 1 | 381005197/0 | Etrier Gauche | Black;To 31-August-2017 | | |
| 2 | 1 | 381005197/1 | Etrier Gauche | Black;From 01-September-2017 To 31-August-2018 | | |
| 2 | 1 | 381005197/2 | Etrier Gauche | Black;From 01-September-2018 | | |
| 3 | 6 | 112727801/0 | Vis | | | |
| 4 | 2 | 322545213/0 | Plaquette | | | |
| 5 | 1 | 322600310/0 | Rear door | Not for TR/E models | | |
| 6 | 1 | 381102204/0 | Rear Baffle Assembly | To S/N 19JA2WBH017664 | | |
| 6 | 1 | 381102204/1 | Rear Baffle Assembly | From S/N 19JA2WBH017665 | | |
| 7 | 6 | 112728699/0 | Vis | | | |
| 8 | 1 | 322060270/0 | Protection Mulching | To S/N SK6112205 | | |
| 8 | 1 | 322060270/1 | Protection Mulching | To S/N SK6112095 | | |
| 8 | 1 | 322060270/2 | Protection Mulching | From S/N SK8153833 To S/N 19JA2WBH023208 | | |
| 8 | 1 | 322060270/3 | Protection Mulching | From S/N 19JA2WBH023209 | | |
| 9 | 2 | 112728530/0 | Vis | To 31-August-2015 | | |
| 9 | 2 | 112728531/0 | Vis | From 01-September-2015 To 31-August-2016 | | |
| 9 | 2 | 112735645/0 | Vis | From 01-September-2016 | | |
| 10 | 2 | 112154510/0 | Ecrou | | | |
| 11 | 2 | 112815205/0 | Vis | | | |
| 12 | 2 | 112521330/0 | Rondelle | | | |
| 13 | 1 | 119035000/0 | Joint Or | | | |
| 14 | 1 | 112728697/0 | Vis | | | |
| 15 | 1 | 322034002/0 | Attaque Lavage | | | |
| 16 | 1 | 322140245/0 | Deflecteur | | | |
| 18 | 2 | 122042073/0 | Douille | From 01-September-2018 | | |



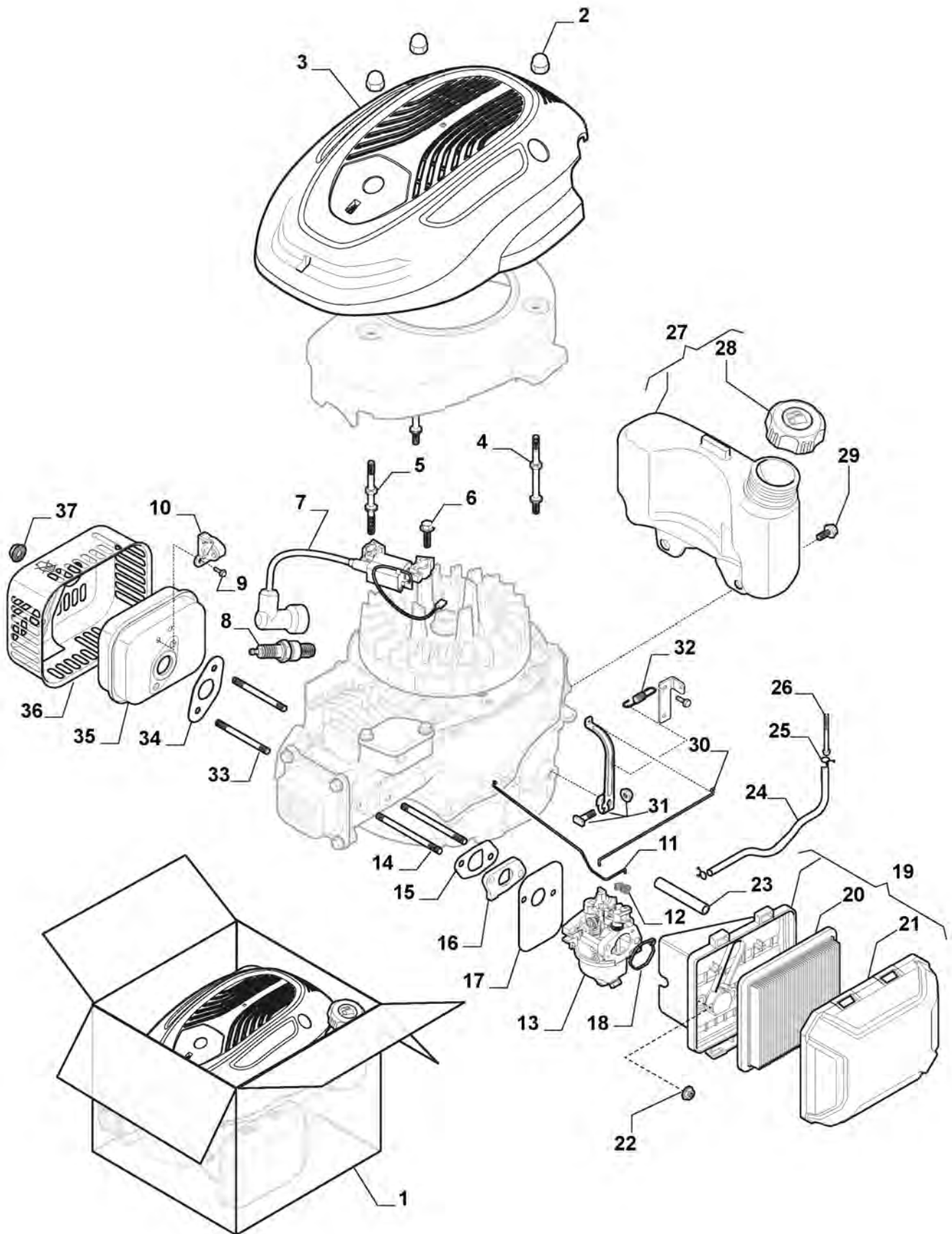
Lame De Coupe

| Réf. N° | Q.té : | Code article | Description | Articles | De | Jusqu'à |
|---------|--------|--------------|--|-------------|----|---------|
| 1 | 1 | 122465607/4 | Moyeu Avec Poulie, Arbre Moteur Ø 22.2 | | | |
| 2 | 1 | 181004366/2 | Lame | | | |
| 3 | 1 | 112523080/0 | Rondelle | | | |
| 4 | 1 | 122160400/0 | Disque Elastique | | | |
| 5 | 1 | 112735698/0 | Vis | for ST.-B&S | | |
| 6 | 1 | 112139100/0 | Languette | | | |
| 7 | 3 | 112735108/1 | Vis | | | |



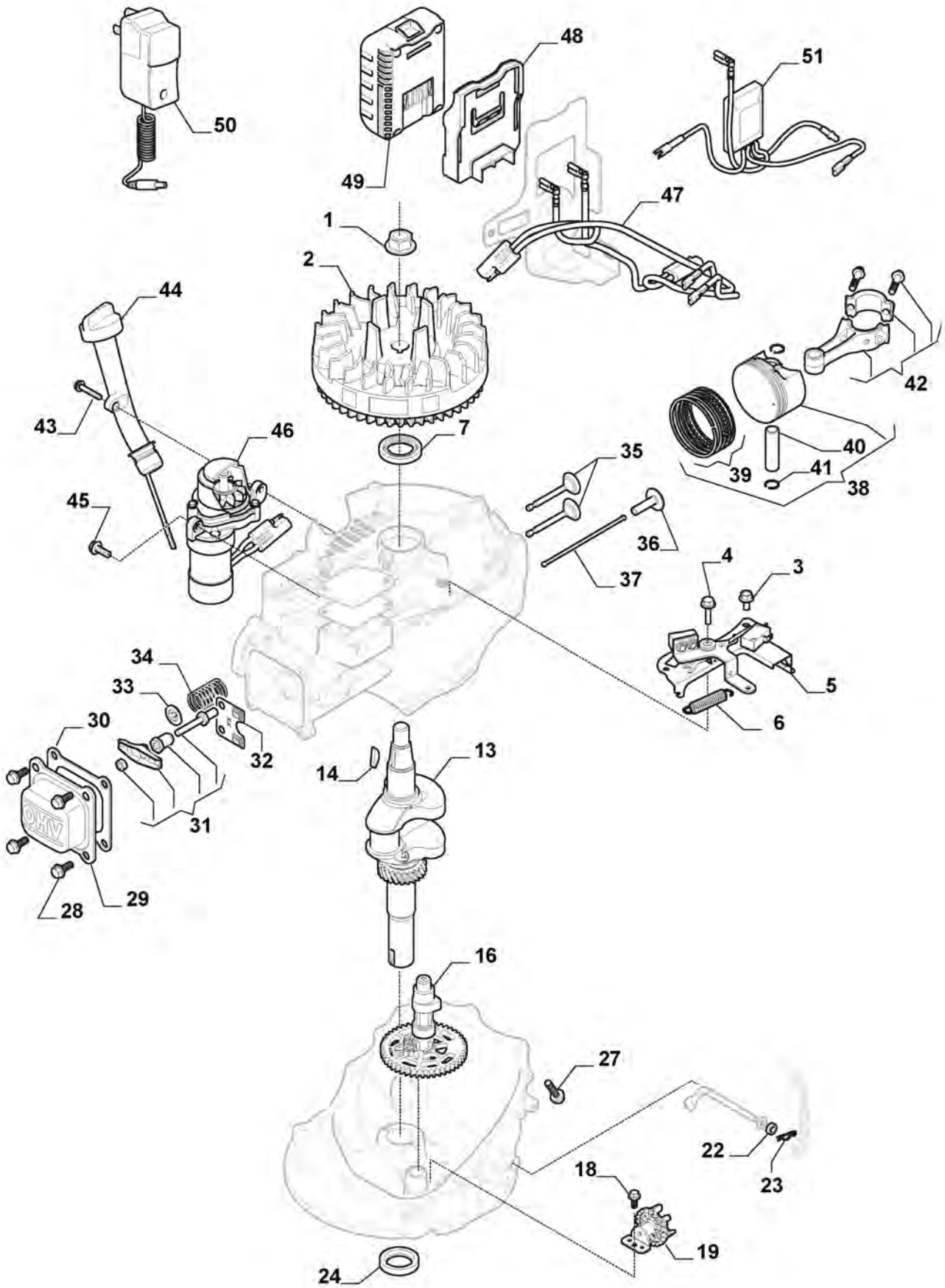
Sac De Ramassage D'Herbe

| Réf. N° | Q.té : | Code article | Description | Articles | De | Jusqu'à |
|---------|--------|--------------|-----------------------------|---------------------------|----|---------|
| 1 | 1 | 181006411/0 | Châssis Bac | To 31-August-2019 | | |
| 1 | 1 | 181006411/1 | Châssis Bac | From 01-September-2019 | | |
| 2 | 2 | 322557177/0 | Plaquette | | | |
| 3 | 5 | 112728697/0 | Vis | | | |
| 4 | 1 | 122517884/0 | Pivot | | | |
| 5 | 1 | 181102349/0 | Sac, Toile | Black without Logo | | |
| 6 | 1 | 381486039/0 | Sac, Partie Superieure Noir | Black with Grey Indicator | | |
| 7 | 1 | 122450479/0 | Ressort | | | |
| 8 | 1 | 322600308/0 | Pare-Pierres, Noir | | | |
| 9 | 1 | 322109569/0 | Support Pare-Pierres, Noir | | | |



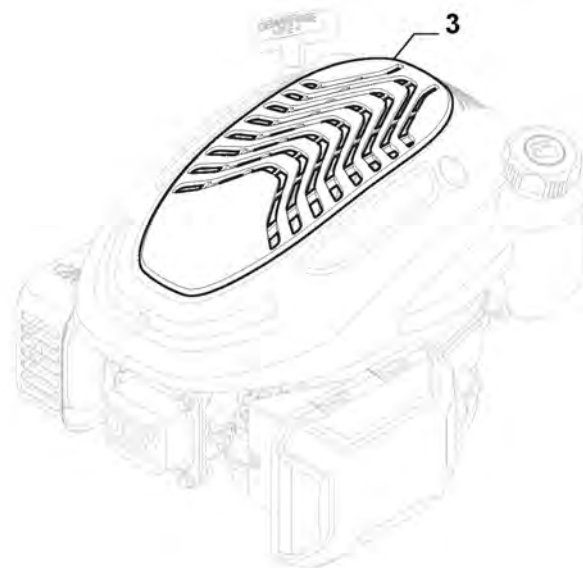
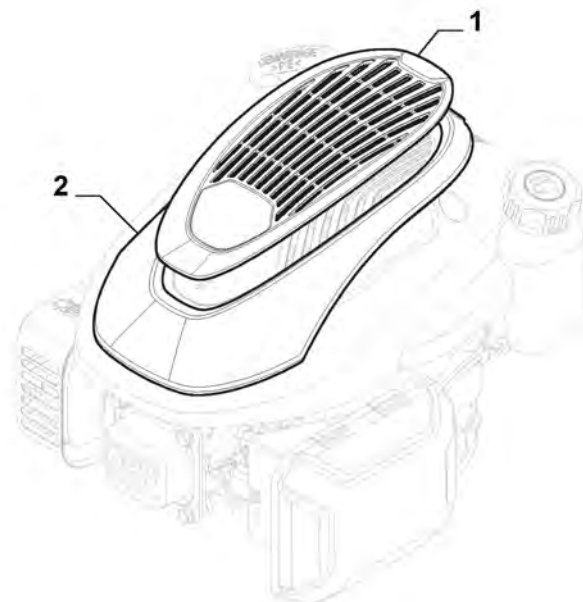
Moteur - Carburateur, Reservoir

| Réf. N° | Q.té : | Code article | Description | Articles | De | Jusqu'à |
|---------|--------|--------------|-----------------------|----------|----|---------|
| 1 | 1 | 118551443/0 | Moteur Complete | | | |
| 2 | 3 | 112292102/0 | Ecrou | | | |
| 3 | 1 | 118551469/0 | Set Starter | | | |
| 4 | 2 | 118550907/0 | Pivot | | | |
| 5 | 1 | 118550906/0 | Pivot | | | |
| 6 | 1 | 112791500/0 | Vis | | | |
| 7 | 1 | 118551474/0 | Elektronikspule | | | |
| 8 | 1 | 1111-9206-01 | Spark Plug (Rc12Yc) | | | |
| 9 | 2 | 112789000/0 | Vis | | | |
| 10 | 1 | 118551456/0 | Commande Starter | | | |
| 11 | 1 | 118551459/0 | Stange | | | |
| 12 | 1 | 118551352/0 | Butée | | | |
| 13 | 1 | 118551451/1 | Carburateur | | | |
| 14 | 2 | 118550930/0 | Prisonnier | | | |
| 15 | 1 | 118550929/0 | Garniture | | | |
| 16 | 1 | 118550928/0 | Blocage Thermique | | | |
| 17 | 1 | 118550927/0 | Garniture | | | |
| 18 | 1 | 118551124/0 | Garniture | | | |
| 19 | 1 | 118551462/0 | Luffilter | | | |
| 20 | 1 | 118550257/0 | Filtre À Air | | | |
| 21 | 1 | 118551463/0 | Couvercle Filtre Air | | | |
| 22 | 2 | 112292102/0 | Ecrou | | | |
| 23 | 1 | 118551479/0 | Tuyau Soupirlail | | | |
| 24 | 1 | 118551480/0 | Kraftstoffleitung | | | |
| 25 | 2 | 118550918/0 | Collier Tuyau | | | |
| 26 | 1 | 118550314/0 | Filtre Carburant | | | |
| 27 | 1 | 118551452/0 | Tank | | | |
| 28 | 1 | 118551455/0 | Bouchon Reservoir | | | |
| 29 | 2 | 112791400/0 | Vis | | | |
| 30 | 1 | 118551457/0 | Lien De Gouverneur | | | |
| 31 | 1 | 118550933/0 | Gouverneur Levier | | | |
| 32 | 1 | 118551458/0 | Ressort | | | |
| 33 | 2 | 118550930/0 | Prisonnier | | | |
| 34 | 1 | 118550898/0 | Garniture Silencieux | | | |
| 35 | 1 | 118551465/0 | Schalldämpfer | | | |
| 36 | 1 | 118551466/0 | Protection Silencieux | | | |
| 37 | 2 | 118550806/0 | Ecrou | | | |



Moteur - Piston, Arbre Moteur

| Réf. N° | Q.té : | Code article | Description | Articles | De | Jusqu'à |
|---------|--------|--------------|--------------------------------------|----------|----|---------|
| 1 | 1 | 118550336/0 | Ecrou | | | |
| 2 | 1 | 118551470/0 | Ens. Volant | | | |
| 3 | 1 | 118551277/0 | Boulon | | | |
| 4 | 1 | 112791500/0 | Vis | | | |
| 5 | 1 | 118551521/0 | Bremse | | | |
| 6 | 1 | 118551522/0 | Ressort | | | |
| 7 | 1 | 118550300/0 | Anneau De Tenue | | | |
| 13 | 1 | 118551484/0 | Set Motorwelle | | | |
| 14 | 1 | 118550288/0 | Clé de volant | | | |
| 16 | 1 | 118551448/0 | Arbre À Cames | | | |
| 18 | 1 | 112789000/0 | Vis | | | |
| 19 | 1 | 118551460/0 | Ens. Régulateur De Vitesse | | | |
| 22 | 1 | 118550935/0 | Anneau De Tenue | | | |
| 23 | 1 | 118550856/0 | Goupille | | | |
| 24 | 1 | 118550379/0 | Anneau De Tenue | | | |
| 27 | 10 | 112791500/0 | Vis | | | |
| 28 | 4 | 118551276/0 | Boulon | | | |
| 29 | 1 | 118550891/0 | Cache-Soupapes | | | |
| 30 | 1 | 118550892/0 | Garniture | | | |
| 31 | 2 | 118550893/0 | Ens. Culbuteur | | | |
| 32 | 1 | 118550894/0 | Plaque | | | |
| 33 | 2 | 118550895/0 | Butée | | | |
| 34 | 2 | 118550896/0 | Ressort | | | |
| 35 | 1 | 118550910/0 | Ens. Soupape Aspiration + Évacuation | | | |
| 36 | 2 | 118551449/0 | Ventilheber | | | |
| 37 | 2 | 118551251/0 | Tige | | | |
| 38 | 1 | 118551485/0 | Set Kolben | | | |
| 39 | 1 | 118551445/0 | Ens. Bagues Élastiques | | | |
| 40 | 1 | 118550915/0 | Pointeau Piston | | | |
| 41 | 2 | 118550914/0 | Circlip Pointeau | | | |
| 42 | 1 | 118551446/0 | Ens. Bielle | | | |
| 43 | 1 | 112791500/0 | Vis | | | |
| 44 | 1 | 118551444/0 | Gesamtansicht Ölstandrohr | | | |
| 45 | 1 | 112791500/0 | Vis | | | |
| 46 | 1 | 118551471/0 | Motor Kompl., Anlasser | | | |
| 47 | 1 | 118551472/0 | Satz Kabel, Start | | | |
| 48 | 1 | 118551477/0 | Support Batterie | | | |
| 49 | 1 | 118551476/0 | Batterie | | | |
| 50 | 1 | 118551478/0 | Chargeur De Batteries | | | |
| 51 | 1 | 118551524/0 | Relais | | | |



Capot Moteur

| Réf. N° | Q.té : | Code article | Description | Articles | De | Jusqu'à |
|---------|--------|--------------|--------------------|----------|----|---------|
| 1 | 1 | 322055631/0 | Kappe Grau | | | |
| 2 | 1 | 322055632/0 | Schutzkasten, Gelb | | | |
| 3 | 1 | 322055628/0 | Kappe Grau | | | |